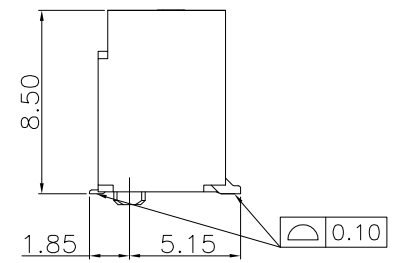
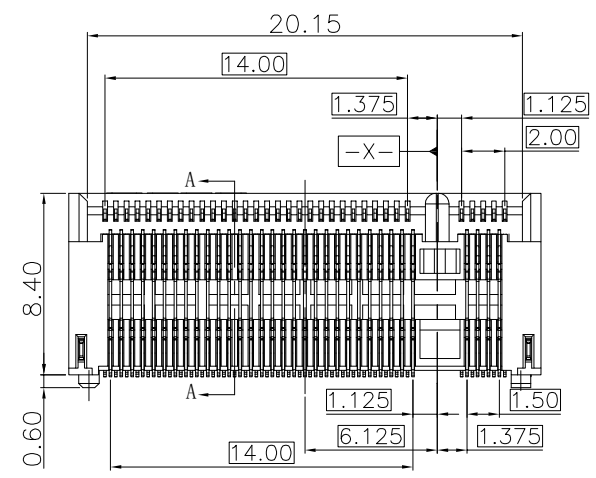
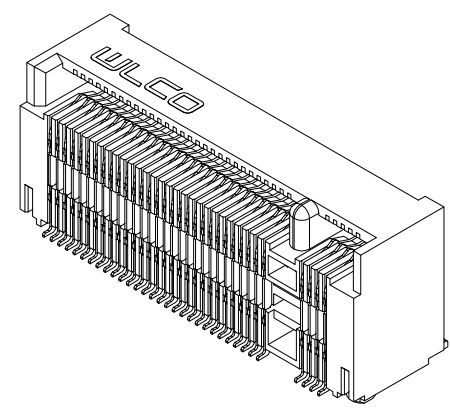
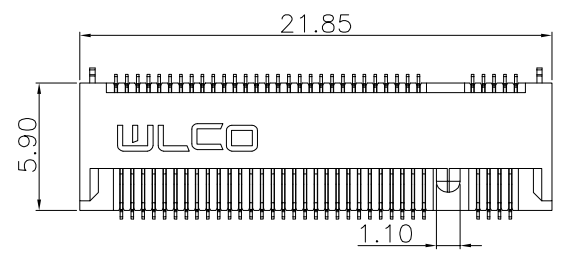
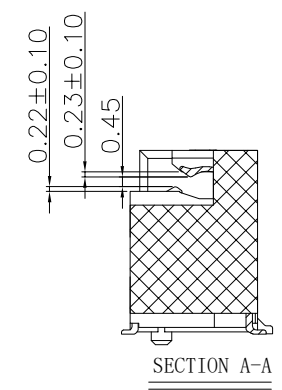
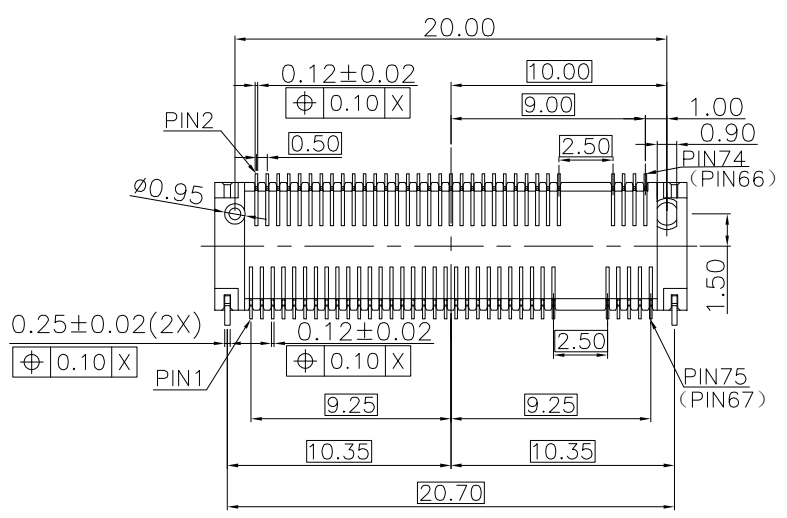


RoHS GP HF

REV.	ECR/N NO.	DESCRIPTION	DRAWN	DATE
A	/	NEW	Li Song	2021/10/26

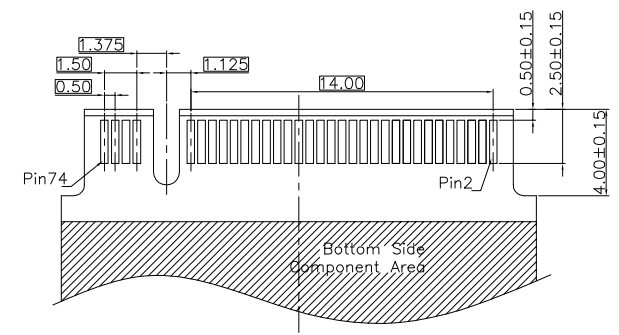
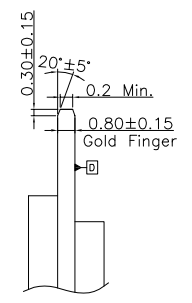
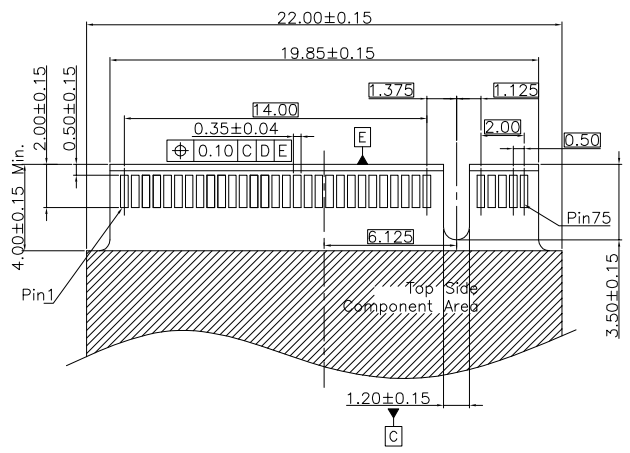


- Notes:
- Materials
 - Housing: HIGH TEMPERATURE THERMOPLASTIC,UL94 V0;COLOR: BLACK;
 - Contact: COPPER ALLOY T=0.15mm, Gold Plating at mating area Matte Tin Plating or GF at solder tail,all over Nickel;
 - PEG: COPPER ALLOY T=0.20mm, Matte Tin And Nickel Plating over all.
 - RoHS 2.0 and HF compliant;
 - Ratings
 - Voltage Rating: 50V AC (Per pin);
 - Current Rating: 0.5A (Per pin);
 - Operating Temperature: -40°C ~ 80°C;
 - Electrical Requirement:
 - LLCR: 55mΩ Max,(Initial), 20mΩ Max. change allowed(Final);
 - Dielectric Withstanding Voltage: 300V AC (RMS) for 1 minute;
 - Insulation Resistance: 500MΩ Min. @ 500V DC;
 - Mechanical Requirement:
 - Mating Force: 20N Max.;
 - Unmating Force: 25N Max.;
 - Durability: 60 Cycles;
 - Vibration: No electrical discontinuity greater than 1u sec shall occur;
 - Mechanical Shock: 285G half sine / 6 axis
No electrical discontinuity greater than 1u sec shall occur;
 - Resistance to heat: the temperature shall be 260±5°C 10±1 seconds.

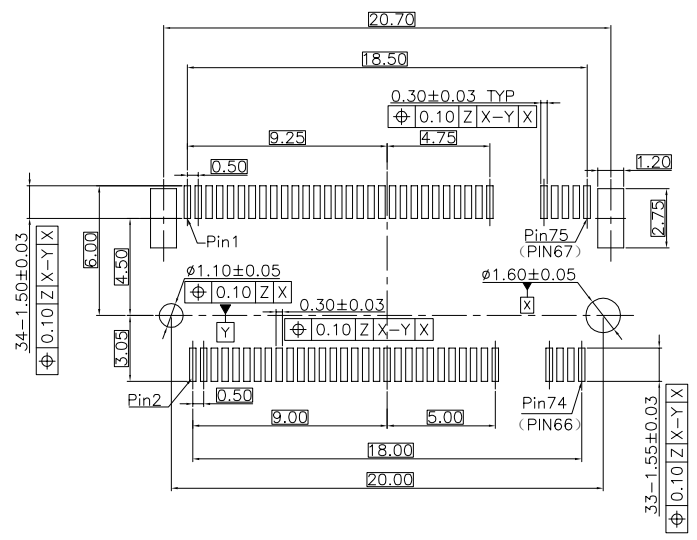


TOLERANCE X.X ±0.35 X.XX ±0.25 X.XXX ±0.10 ANGLE ±1.0°	MODEL NAME: M. 2, KEY, M, H=8.5, BLACK				DRAWN: Li Song	
	MODEL NO: SEE TABLE				CHECKED: Youhua Cai	
	UNIT: mm	SCALE: 1:1	REVISION: A	SHEET 1/3	APPROVED: Youhua Cai	
	DATE: 2021/10/26				DWG NO: C-WLM2-67P01	
深圳市兴万联电子有限公司 SHENZHEN XING WAN LIAN ELECTRONICS CO.,LTD.				FILE: C		

REV.	ECR/N NO.	DESCRIPTION	DRAWN	DATE
A	/	NEW	Li Song	2021/10/26

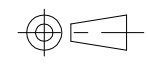


Recommended Mould Finger Layout
Default Tolerance ±0.05



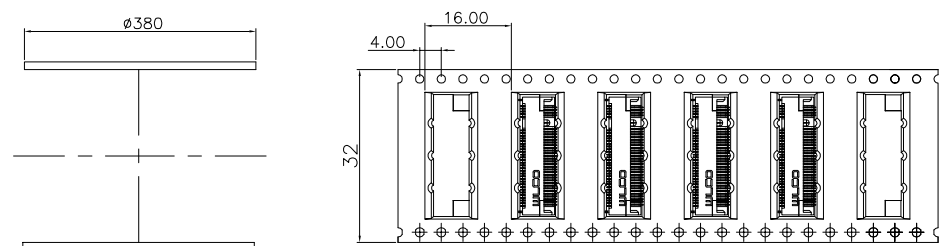
TABLE

NO.	PART NO	SPECIFICATION
1	WLM2-005A	HOUSING_LCP BLACK UL94-V0, CONTACT_C5210 G/F Ni50u, PEG_C2680 NICKEL PLATING
2	WLM2-006A	HOUSING_LCP BLACK UL94-V0, CONTACT_C5210 15u Ni50u, PEG_C2680 NICKEL PLATING

TOLERANCE X.X ±0.35 X.XX ±0.25 X.XXX ±0.10 ANGLE ±1.0°	MODEL NAME: M. 2, KEY, M, H=8. 5, BLACK				DRAWN: Li Song	
	MODEL NO: SEE TABLE				CHECKED: Youhua Cai	
mm	UNIT:	SCALE:	REVISION:	SHEET	APPROVED: Youhua Cai	
	1:1	A	2/3	DATE: 2021/10/26		
 WLCO 深圳市兴万联电子有限公司 SHENZHEN XING WAN LIAN ELECTRONICS CO., LTD.	DWG NO: C-WLM2-67P01				FILE: C	

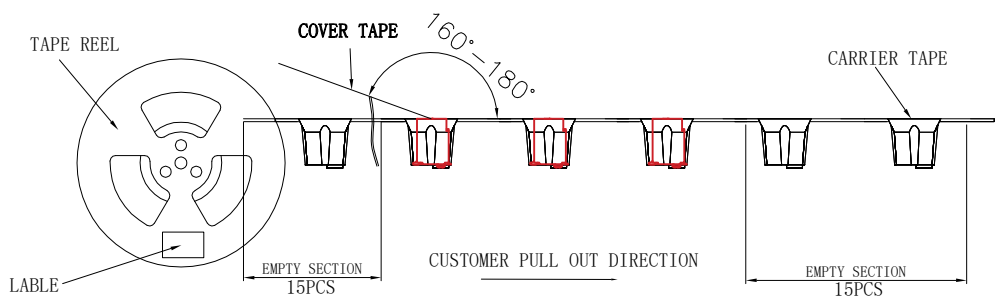
RoHS GP HF

REV.	ECR/N NO.	DESCRIPTION	DRAWN	DATE
A	/	NEW	Li Song	2021/10/26

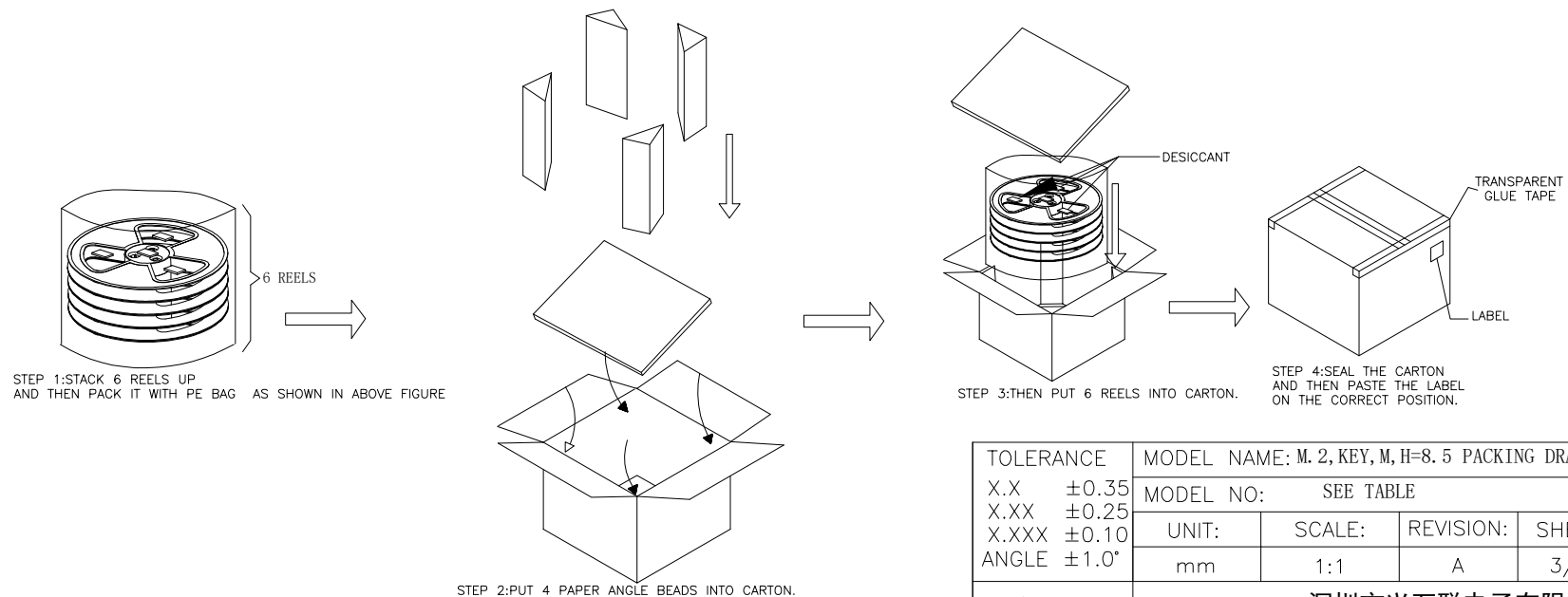


M. 2 PACKING MATERIAL.

No.	NAME	P/N	SPEC (mm)	数量
1	M. 2 8.5H KEY M	SEE DRAWING	SEE DRAWING	3600PCS
2	COVER TAPE	P-TPOXX	WIDE=25.5; T=0.05	FULL
3	CARRIER TAPE	P-TPOXX	WIDE=32; PITCH=16	FULL
4	TAPE REEL	P-PCOXX	380*32mm	6PCS
5	DESICCANT			2PCS
6	PE BAG	P-PEOXX	T0.04*700*700mm	1PCS
7	PAPER ANGLE BEADS	P-GBOXX	(80+100+80)*260mm	4PCS
8	CARTON	P-OCOXX	L*W*H=390*390*270	1PCS
9	LABEL			1PCS



NOTES:
 1: QUANTITY/REEL: 600PCS/REEL
 2: QUANTITY/CARTON: 600*6=3600PCS/CARTON



TOLERANCE	MODEL NAME: M. 2, KEY, M, H=8.5 PACKING DRAWING				DRAWN: Li Song	
X.X ±0.35	MODEL NO: SEE TABLE				CHECKED: Youhua Cai	
X.XX ±0.25	UNIT:	SCALE:	REVISION:	SHEET	APPROVED: Youhua Cai	
X.XXX ±0.10	mm	1:1	A	3/3	DATE: 2021/10/26	
ANGLE ±1.0°	深圳市兴万联电子有限公司 SHENZHEN XING WAN LIAN ELECTRONICS CO., LTD.				DWG NO: C-WLM2-67P01	
					FILE: C	