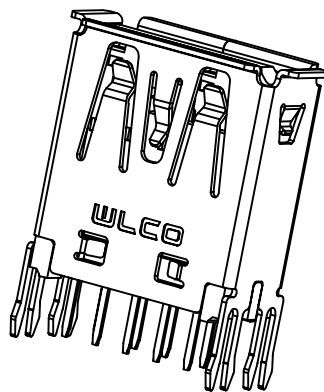
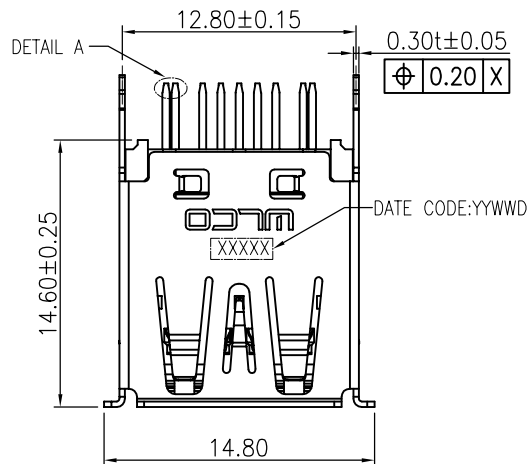


RoHS



REV.	ECR/N NO.	DESCRIPTION	DRAWN	DATE
A		NEW	WuXiaoTao	2021/04/27



NOTE:

1. MATERIAL:

- 1-1. 4PIN/5PIN MOLDING: HIGH TEMP THERMOPLASTIC,COLOR:BLUE;
- 1-2. 4PIN CONTACTS: COPPER ALLOY,T=0.20mm;
- 1-3. 5PIN CONTACTS: COPPER ALLOY,T=0.20mm;
- 1-4. SHELL: STAINLESS STEEL,T=0.30mm

2. PLATING SPECIFICATION:

- 2-1. CONTACTS:
 NI 50u" MIN. PLATED ON OVERALL.
 Au 15u" PLATED ON THE FUNCTIONAL ARER OF CONTACT.
 MATTE Sn 80u" MIN. PLATED ON SOLDER AREA.
- 2-2. SHELL:
 NI 50u" MIN. PLATED ON OVERALL.

3. SPECIFICATION:

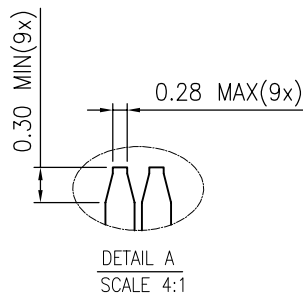
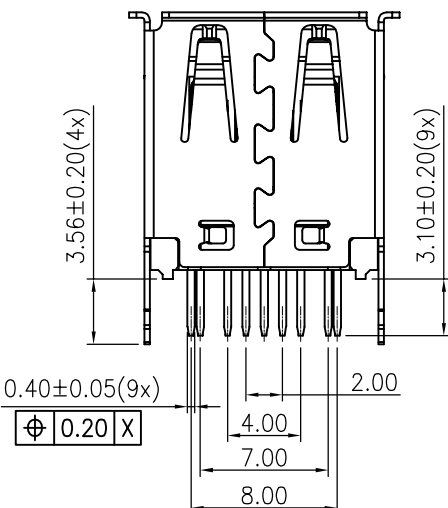
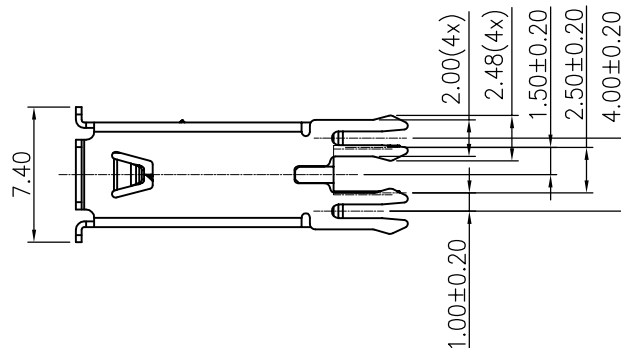
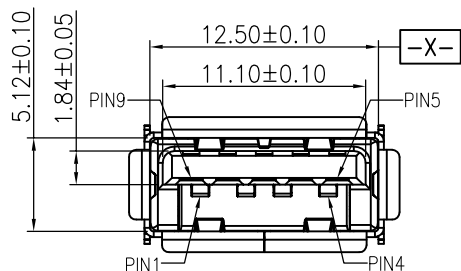
- 3-1. ELECTRICAL:
 CONTACT CURRENT RATING: 1.8A FOR PIN1 & PIN4
 0.25A FOR OTHERS.

INSULATION RESISTANCE: 100MQ MIN.
 CONTACT RESISTANCE: 30 mΩ MAX.
 DIELECTRIC WITHSTANDING VOLTAGE: AC 100V FOR 1MINUTE

3-2. MECHANICAL:

INSULATION FORCE: 3.57Kgf MAX.
 REMOVAL FORCE: 1.02Kgf MIN.,0.80Kgf MIN. AFTER DURABILITY
 DURABILITY: 5000 CYCLES

4. HF COMPLIANT.



Pin Assignments

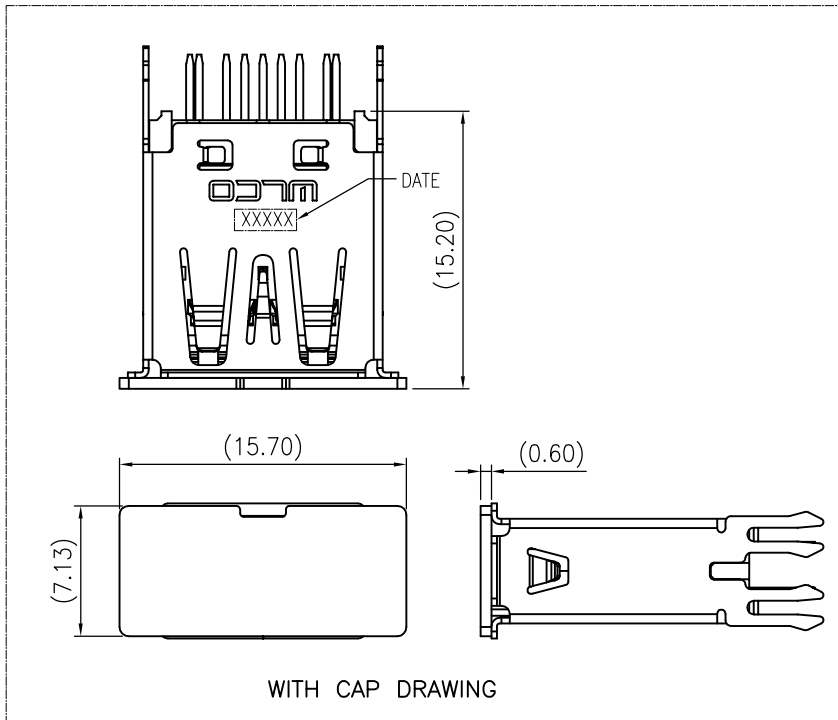
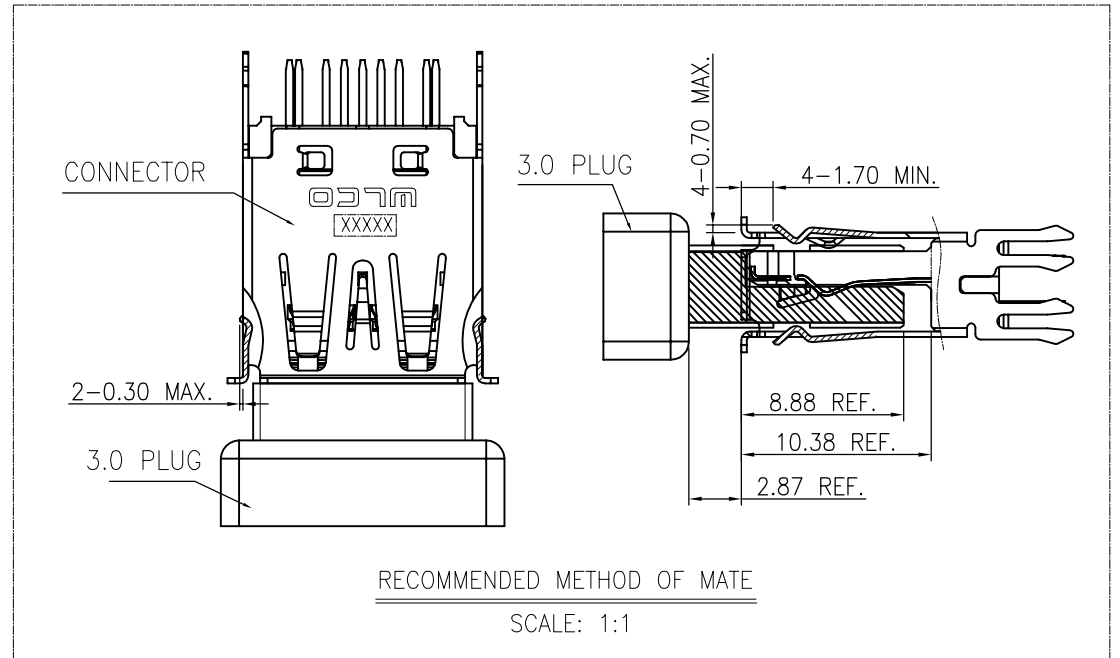
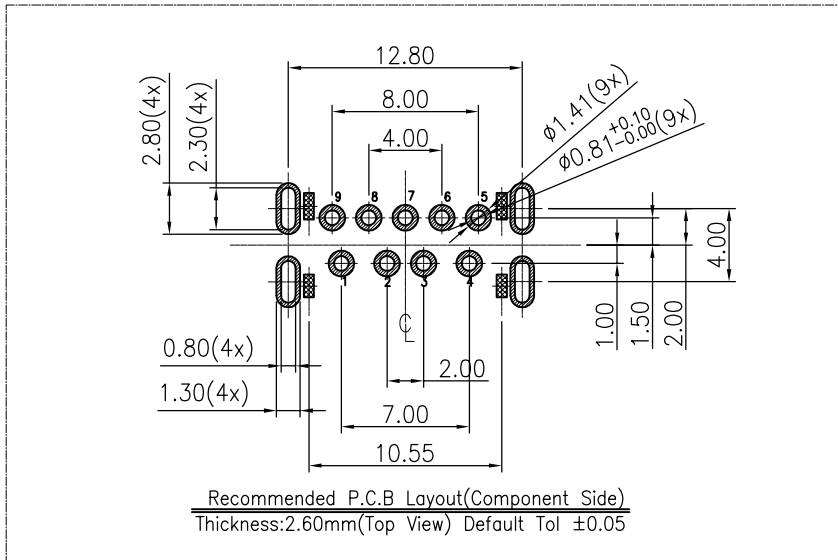
Pin Number	Signal Name	Pin Number	Signal Name
1	VBUS	5	Std_a_SSRX-
2	D-	6	Std_a_SSRX+
3	D+	7	GND_DRAIN
4	GND	8	Std_a_SSTX-
SHELL	Shield	9	Std_a_SSTX+

TOLERANCE	MODEL NAME:	单层USB 3.1A TYPE-DIP 180度 H=14.60 PART 蓝胶无点 端子半全镀15u"			DRAWN:	WuXiaoTao
X.X ±0.30	MODEL NO:	WLUS-500D			CHECKED:	WuHuaMing
X.XX ±0.25	UNIT:	SCALE:	REVISION:	SHEET	APPROVED:	WuHuaMing
X.XXX ±0.15	mm	1:1	A	1/2	DATE:	2021/04/27
ANGLE ±2.0°	WLCO 深圳市兴万联电子有限公司 SHENZHEN XING WAN LIAN ELECTRONICS CO.,LTD.				DWG NO:	
					FILE:	C

RoHS



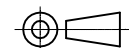
REV.	ECR/N NO.	DESCRIPTION	DRAWN	DATE
A		NEW	WuXiaoTao	2021/04/27



Pin Assignments

Pin Number	Signal Name	Pin Number	Signal Name
1	VBUS	5	Std_a_SSRX-
2	D-	6	Std_a_SSRX+
3	D+	7	GND_DRAIN
4	GND	8	Std_a_SSTX-
SHELL	Shield	9	Std_a_SSTX+

TOLERANCE	MODEL NAME: 单层USB 3.1 A TYPE DIP 180度 H=14.60 PART 蓝胶无点 端子半全插15u	DRAWN:	WuXiaoTao
X.X ± 0.30	MODEL NO: WLUS-500D	CHECKED:	WuHuaMing
X.XX ± 0.25	UNIT: mm	APPROVED:	WuHuaMing
X.XXX ± 0.15	SCALE: 1:1	DATE:	2021/04/27
ANGLE $\pm 2.0^\circ$	REVISION: A	DWG NO:	
	SHEET: 2/2	FILE:	C
	SHENZHEN XING WAN LIAN ELECTRONICS CO.,LTD.		



WLCO 深圳市兴万联电子有限公司
SHENZHEN XING WAN LIAN ELECTRONICS CO.,LTD.