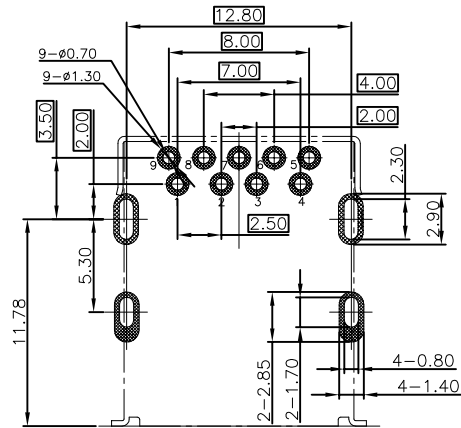
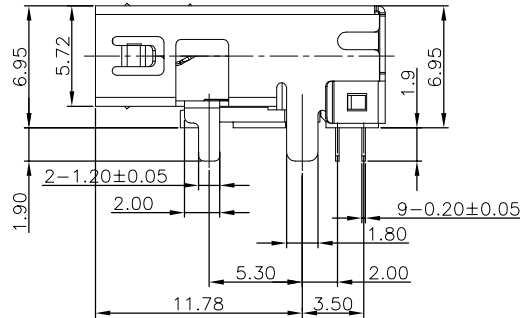
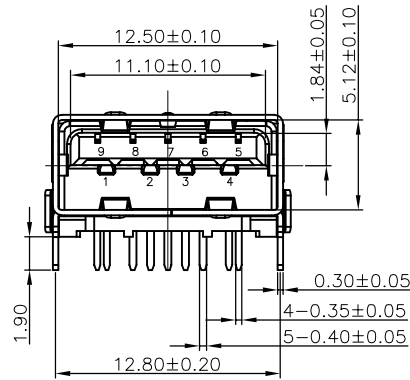
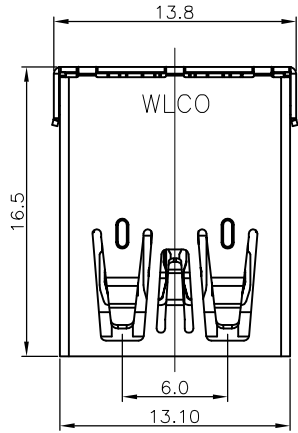
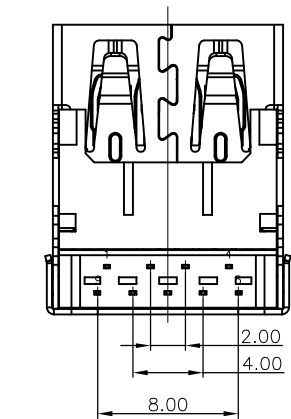


RoHS GP HF

REV.	ECR/N NO.	DESCRIPTION	DRAWN	DATE
A	/	NEW	YAOSHIXUAN	2017/09/22



RECOMMENDED P.C.B LAYOUT
(T=1.60mm TOP VIEW)



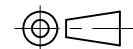
NOTES:

- MATERIAL:
HOUSING: PA9T; COLOR: BLUE.
CONTACT: COPPER ALLOY.
SHELL: SUS304.
- FINISH:
CONTACT: GOLD PLATED ON CONTACT AREA,
TIN PLATED ON SOLDER TAILS,
NICKEL UNDERPLATING OVER ALL.
SHELL: NICKEL PLATING OVER ALL.
- SPECIFICATION:
3.1: ELECTRICAL:
CURRENT RATING: 1.8A FOR PIN1&PIN4
0.25A FOR OTHERS.
INSULATION RESISTANCE: 100MΩ Min.
CONTACT RESISTANCE: 30mΩ Max.
DIELECTRIC WITHSTANDING VOLTAGE: 100V/AC 1MINUTE.
3.2: MECHANICAL:
MATING FORCE: 3.57Kgf Max.
UNMATING FORCE: 1.0Kgf Min.
DURABILITY: 5000 CYCLES.

Pin Assignments

Pin Number	Signal Name	Pin Number	Signal Name
1	VBUS	5	Stda_SSRX-
2	D-	6	Stda_SSRX+
3	D+	7	GND_DRAIN
4	GND	8	Stda_SSTX-
SHELL	Shield	9	Stda_SSTX+

TOLERANCE	MODEL NAME
X.X ±0.35	单原USB A-TYPE 3.0 MOLDING结构 PA9T蓝色C环保防火
X.XX ±0.25	无卷边外壳SUS304 4个直插脚1.9 端子针长1.9 载带包装
X.XXX ±0.10	MODEL NO: WLUS-380A
ANGLE ±2.0°	UNIT: SCALE: REVISION: SHEET
	mm 1:1 A 1/1



WLCO 深圳市兴万联电子有限公司
SHENZHEN XING WAN LIAN ELECTRONICS CO.,LTD.

DRAWN:	YAOSHIXUAN
CHECKED:	WUHUAMING
APPROVED:	WUHUAMING
DATE:	2017/09/22
DWG NO:	
FILE:	C