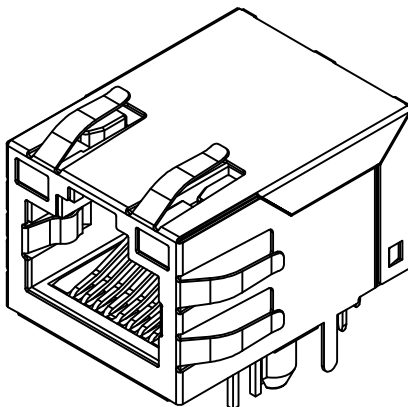


RoHS

GP

HF

REV.	ECR/N NO.	DESCRIPTION	DRAWN	DATE
A		NEWS	ZOUJINSHUI	2021/08/03
B		依客户要求，站脚加高	ZOUJINSHUI	2021/11/30
C		更改塑胶为PA9T, 镀金30u"	DENGJU	2021/12/14



NOTE:

1. MATERIAL:

- 1-1. HOUSING: PA9T,UL94V-0; COLOR: BLACK;
- 1-2. CONTACTS: PHOSPHOR BRONZE , T=0.35mm;
- 1-3. SHELL: BRASS,T=0.20mm.

2. PLATING SPECIFICATION:

2-1. CONTACTS:

- AU 30u" MIN. PLATED AT CONTACT AREA,
- NI 50u" MIN. UNDERPLATING OVER ALL.
- MATTE Sn 80u" MIN. PLATED ON SOLDER AREA.

2-2. SHELL:

- NI 50u" MIN. PLATED OVER ALL.

3-3. SPRING:CLEANING

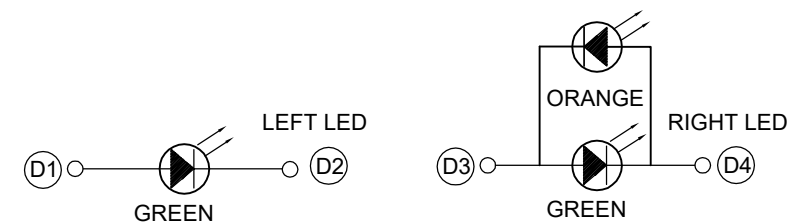
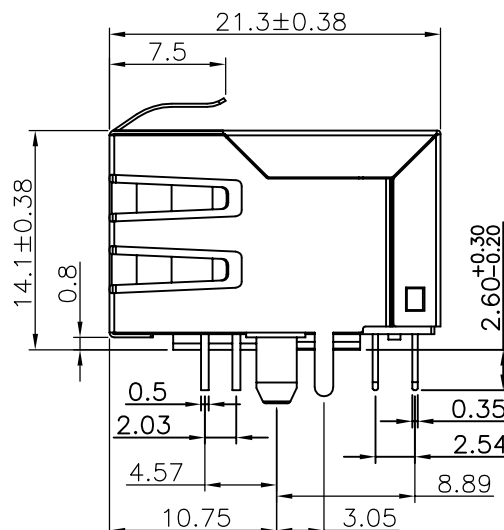
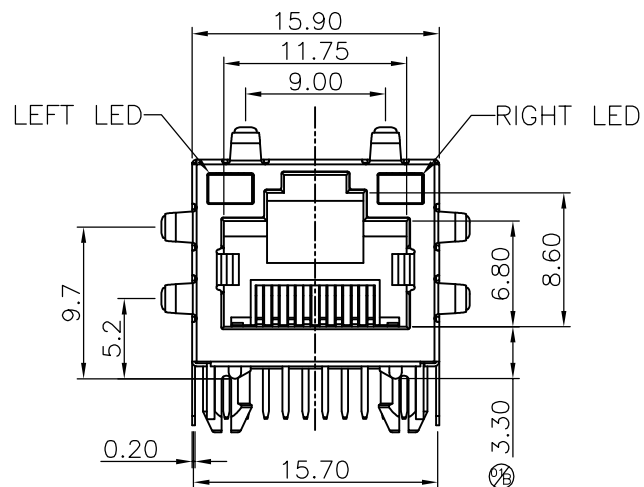
3. SPECIFICATION:

3-1. ELECTRICAL:

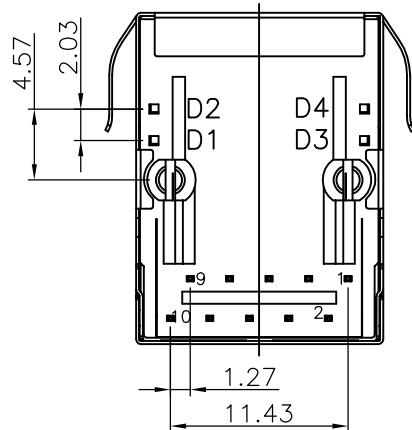
- INSULATION RESISTANCE: 500MΩ MIN.
- CONTACT RESISTANCE: 20 mΩ MAX.
- DIELECTRIC WITHSTANDING VOLTAGE: AC 1000V FOR 1MINUTE

3-2. MECHANICAL:

- INSULATION FORCE: 22N MAX.
- REMOVAL FORCE: 44N MAX.
- DURABILITY: 2500 CYCLES
- OPERATING TEMPERATURE : 0°C to +75°C



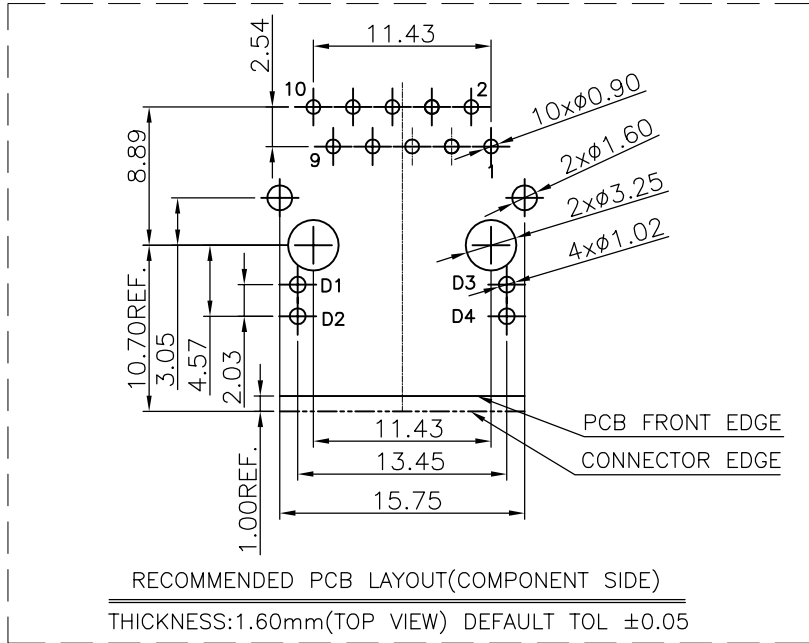
LED Color	λ P(nm)	VF @IF=20mA	IR @VR=5V
GREEN	565	1.8~2.4 V	10 uA max
YELLOW	585	1.8~2.4 V	10 uA max
ORANGE	605	1.8~2.4 V	10 uA max



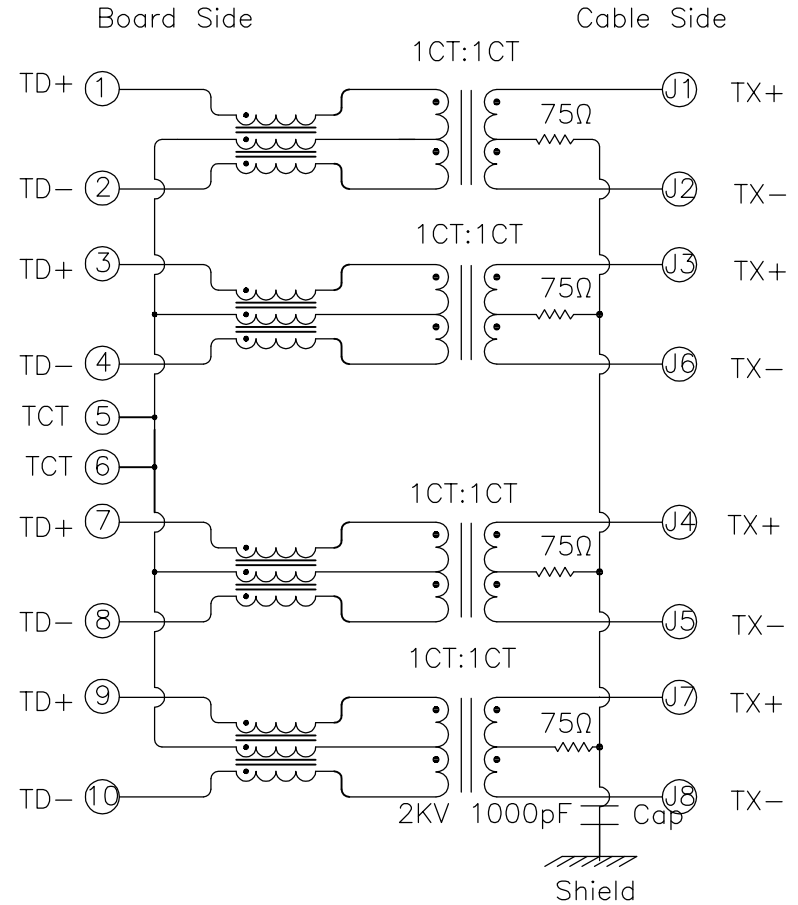
TOLERANCE X.X ±0.35 X.XX ±0.25 X.XXX ±0.15 ANGLE ±2.0°	MODEL NAME: RJ45 90° DIP 带弹带灯左绿右橙 长体21.3 针长2.60 铜壳镀NI PA9T黑色 端子半金锡30u" 带1000M滤波			DRAWN: DENGJU	
	MODEL NO: WLRJ-397C			CHECKED: WUXIAOTAO	
	UNIT: mm	SCALE: 1:1	REVISION: C	SHEET: 1/2	APPROVED: WUHUAMING
	DATE: 2021/12/14			DWG NO:	
<b>WLCO</b> 深圳市兴万联电子有限公司 SHENZHEN XING WAN LIAN ELECTRONICS CO.,LTD.			FILE: C		

RoHS GP HF

REV.	ECR/N NO.	DESCRIPTION	DRAWN	DATE
A		NEWS	ZOUJINSHUI	2021/08/03
B		依客户要求，站脚加高	ZOUJINSHUI	2021/11/30
C		更改塑胶为PA9T, 镀金30u"	DENGJU	2021/12/14



Schematic :



Electrical Specification @25°C :

Item	Specification	Test Condition
Application	1000 Base-T	
DCL	350uH Min	100KHz 0.1V 8mA DC Bias @ 0°C to 70°C
Leakage Inductance	0.4uH Max	100KHz 0.1V
DC Resistance	1.2 Ω Max	
Turn Ratio	1CT:1CT	100KHz 0.1V
Insertion Loss	-1.0dB Min	0.5-100 MHz
Return Loss	-16dB Max	0.5-30 MHz
	-12+20log(f/80)dB Max	30.1-80 MHz
	-10dB Max	80.1-100 MHz
Cross Talk	-35dB Max	0.5-40 MHz
	-33+20log(f/50)dB Max	40.1-100 MHz
CMRR	-30dB Max	0.5-100 MHz
Hi-pot Test( 4pairs)	1mA Max	2250VDC
Storage Temperature	-40°C ~ +85°C	

TOLERANCE	MODEL NAME: RJ45 90° DIP 带弹带灯左绿右绿橙 长体21.3 针长2.60 铜壳镀NI PA9T黑色 端子半金锡30u" 带100M滤波	DRAWN: DENGJU
X.X ±0.35	MODEL NO: WLRJ-397C	CHECKED: WUXIAOTAO
X.XX ±0.25	UNIT: mm	APPROVED: WUHUAMING
X.XXX ±0.15	SCALE: 1:1	DATE: 2021/12/14
ANGLE ±2.0°	REVISION: C	DWG NO:
	SHEET: 2/2	FILE: C

**WILCO** 深圳市兴万联电子有限公司  
SHENZHEN XING WAN LIAN ELECTRONICS CO., LTD.