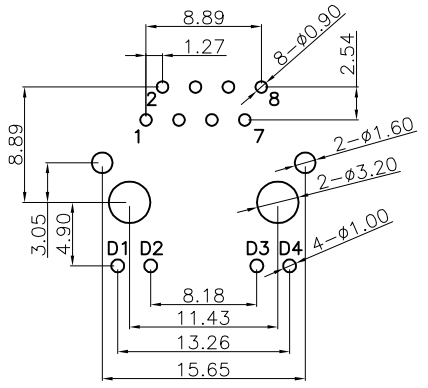
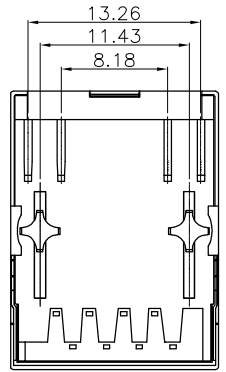
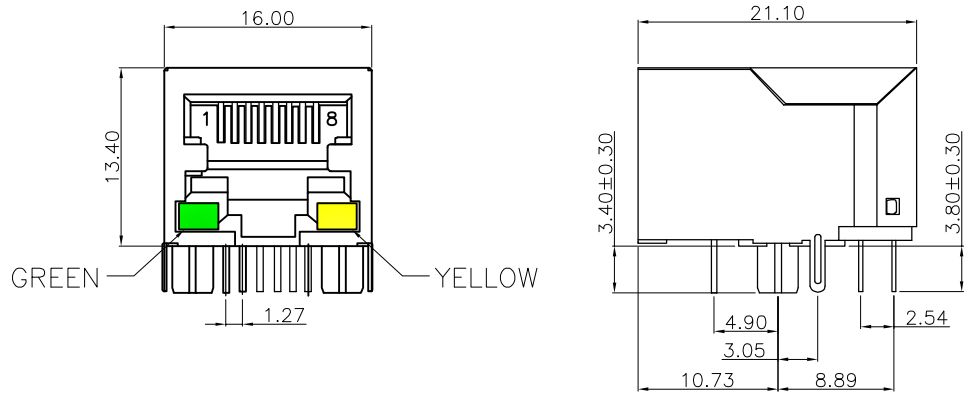


RoHS GP HF

Mark	ECN NO.	DESCRIPTION	DESIGN	Date:
A		NEW		

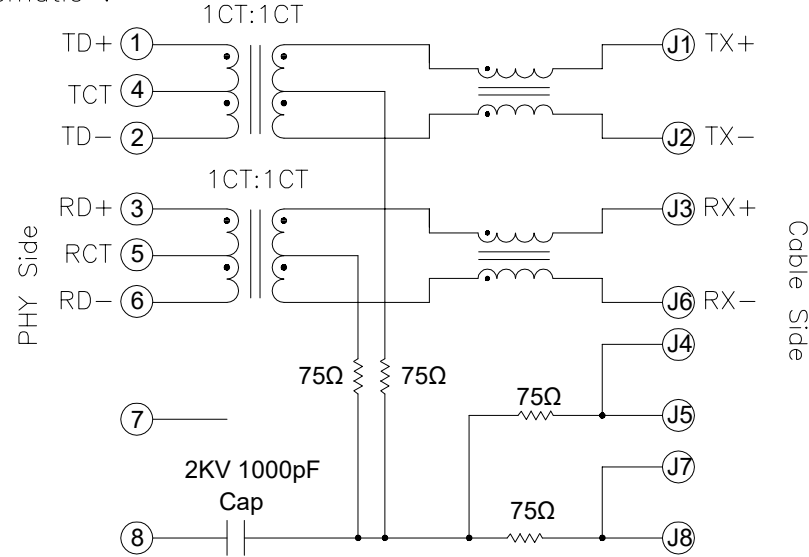
1. Mechanical:



RECOMMENDED PCB LAYOUT (JACK TOP VIEW)

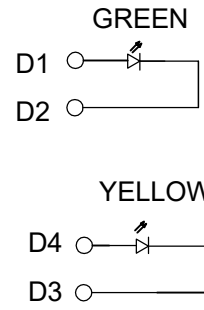
- 2.1. Material:  
 Housing: PBT,UL94V-0; Color: Black  
 Contact: Phosphor Bronze  
 Shell: Brass
- 2.2. FINISH:  
 Contact: 6u" Gold plated.  
 Shell: Nickel Underplating Over All.

3. Schematic :



4. Electrical Specification @25°C :

Item	Specification	Test Condition
Application	10/100 Base-T	
OCL	350uH Min	100KHz 0.1V 8mA DC Bias @ 0°C to 70°C
Leakage Inductance	0.4uH Max	100KHz 0.1V
DC Resistance	1.2 Ω Max	
Turn Ratio	1CT:1CT	100KHz 0.1V
Insertion Loss	-1.0dB Min	0.5-100 MHz
	-16dB Max	0.5-30 MHz
Return Loss	-12+20log(f/50)dB Max	30.1-80 MHz
	-10dB Max	80.1-100 MHz
	-35dB Max	0.5-40 MHz
Cross Talk	-33+20log(f/50)dB Max	40.1-100 MHz
CMRR	-30dB Max	0.5-100 MHz
Hi-pot Test	1mA Max	2250VDC
Operating Temperature	-40°C to 85°C	



Tolerance	Model Name: RJ45 90°反向 DIP带下灯平脚左绿右黄 长体21.1 铜壳镀NI				Drawing:	DENGJU
X.X ±0.30	PBT黑色 端子镀金6u 带100M滤波				Checked:	YAOSHIXUAN
X.XX ±0.25	Model No:	WLRJ-313A			Approved:	WUHUAMING
X.XXX ±0.15	UNIT:	SCALE:	REVISION:	SHEET	Date:	2017.03.08
Angle ±2.0°	mm	FULL	A	1/1	FILE:	C
	深圳市兴万联电子有限公司 SHENZHEN XINGWANLIAN TECHNOLOGY CO, LTD				DWG NO.	