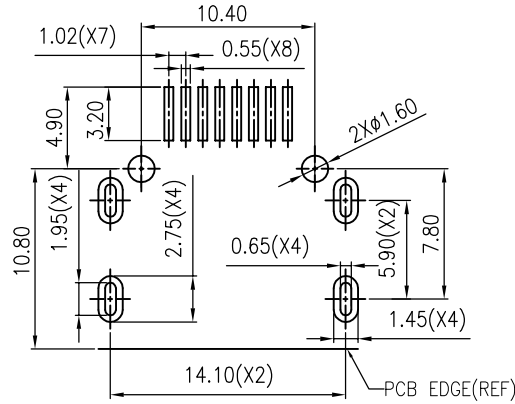
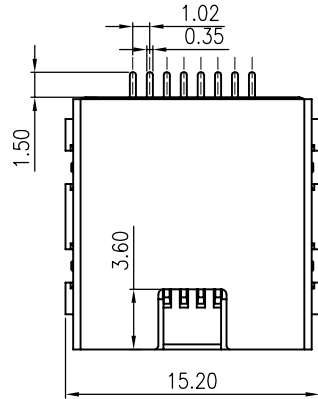


RoHS GP HF

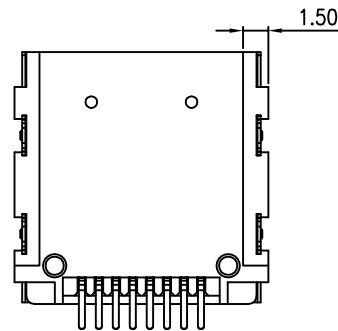
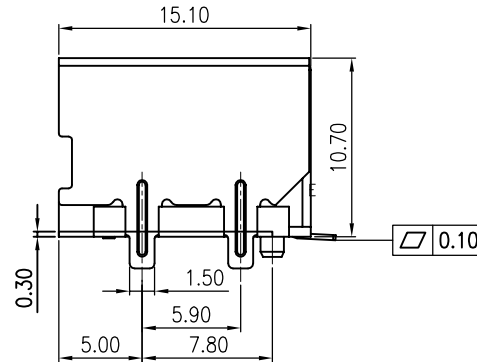
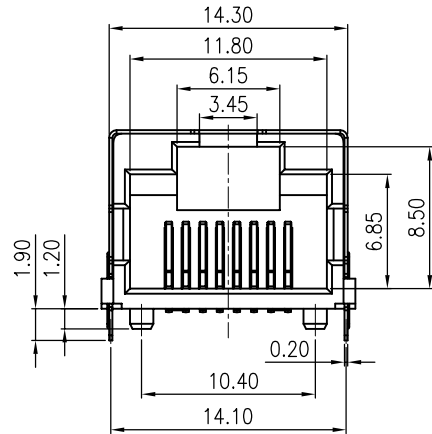
REV.	ECR/N NO.	DESCRIPTION	DRAWN	DATE
B		胶芯底部挖槽	姚世宣	2019/02/21
C	N1901001	按客户要求将产品料号切回为	姚世宣	2019/09/18
D	N2003007	WI胶芯底部挖槽外壳有脱落问题,故外壳卡点变更为倒圆结构,增强外壳和胶芯握持力	姚世宣	2020/03/30
E	EN2107104	端子锡脚镀金G/F改为镀锡	邹金水	2021/07/09

NOTES:

- MATERIAL:
 - HOUSING: THERMOPLASTIC FLAMMABILITY RATING UL94V-0
 - CONTACT: COPPERY ALLOY
 - SHELL: COPPERY ALLOY
- FINISH:
 - CONTACT:
 - Au 3u" PLATED ON CONTACT AREA
 - Sn PLATING ON SOLDER TAIL AREA
 - NICKEL UNDERPLATING OVERALL
 - SHELL:
 - 50u" NICKEL UNDERPLATING OVERALL
- OTHER GENERAL SPEC. TO REFER: RJ45 SEROES SPEC



RECOMMENDED PCB LAYOUT(TOP VIEW)
GENERAL TOLERANCES: ±0.05



3	SHELL	COPPER ALLOY	Ni Plated	1PCS
2	TERMINAL	COPPER ALLOY	Au/Ni/Sn	8PCS
1	HOUSING	PA9T UL94V-0	BLACK	1PCS
NO.	DESCRIPTION	MATERIAL	REMARKS	QTY
TOLERANCE		MODEL NAME: RJ45单孔 90° 带双柱 插针结构 SMT 网络 PA9T 黑色 半金/锡		DRAWN: ZOUJINSHUI
X.X	±0.35	MODEL NO: WLRJ-094A		CHECKED: WUXIAOTAO
X.XX	±0.25	UNIT:	SCALE:	REVISION:
X.XXX	±0.15	mm	1:1	E
ANGLE	±2.0°	SHEET: 1/1		APPROVED: WUHUAMING
				DATE: 2021/07/09
深圳市兴万联电子有限公司 SHENZHEN XING WAN LIAN ELECTRONICS CO., LTD.			DWG NO:	
			FILE: C	