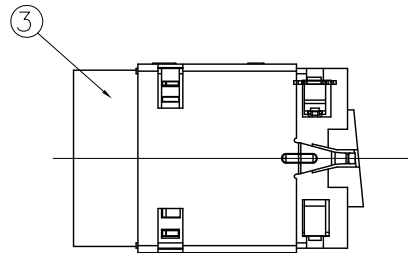


REV.	ECR/N NO.	DESCRIPTION	DRAWN	DATE
A	/	NEW	SHIXUAN.YAO	2020/06/15



SPECIFICATIONS:

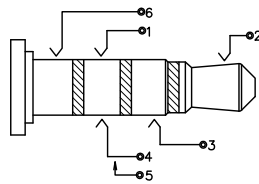
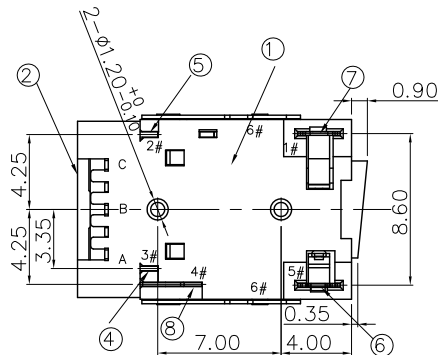
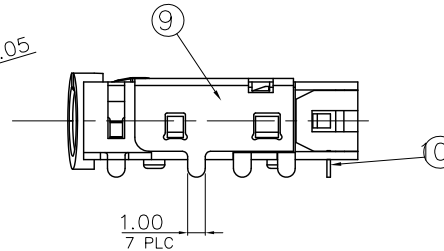
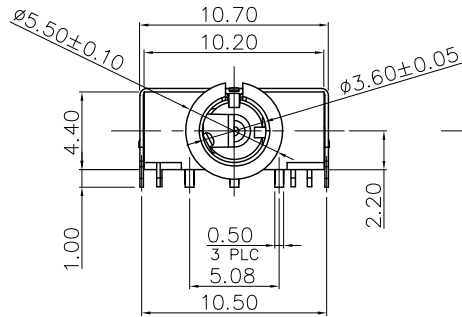
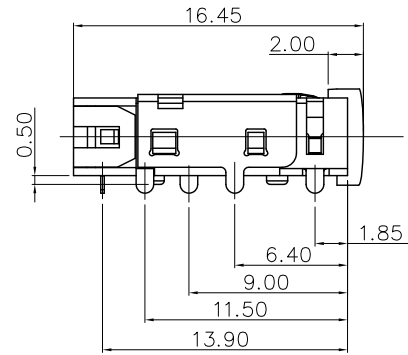
1.MECHANICAL

- a.INSERTION FORCE: 3.0Max Kgs
- b.EXTRACTION FORCE: 0.3Kgs TO 3.0 Kgs
- c.ENDURANCE: 5000 CYCLEs

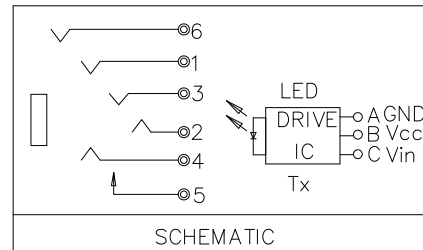
2.ELECTRICAL

- a.DIELECTRIC WITHSTANDING VOLTAGE: 500V AC 1 MINUTE.
- b.INSULATION RESISTANCE: 100MΩ MIN
- c.CONTACT RESISTANCE: 50 mΩ MAX

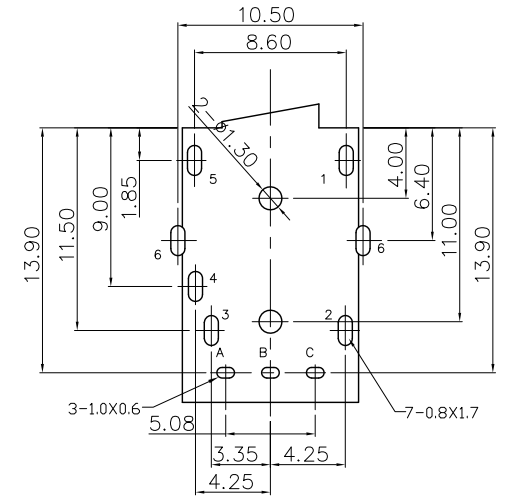
3.OPERATING TEMPERATURE: -25 TO +85°C.



REFERENCE DRAWING



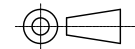
SCHEMATIC



PCB HOLES <TOP VIEW>  
NOTE : GENERAL TOLERANCE:± 0.05

ITEM	DESCRIPTIONS	MATERIAL	FINISH	Q'TY	NOTE
⑥	DRIVEIC			1	
⑦	Contact 6	COPPER ALLOY	Ni	1	
⑧	Contact 4	COPPER ALLOY	Au	1	
⑦	Contact 1	COPPER ALLOY	Au	1	
⑥	Contact 5	COPPER ALLOY	Au	1	
⑤	Contact 2	COPPER ALLOY	Au	1	
④	Contact 3	COPPER ALLOY	Au	1	
③	MINOR HOUSING	HIGH-TEMP PLASTIC	BLACK	1	
②	COVER	HIGH-TEMP PLASTIC	BLACK	1	
①	HOUSING	HIGH-TEMP PLASTIC	BLACK	1	

TOLERANCE	MODEL NAME:φ3.5mm AUDIO JACK+SPDIF PA10T黑色	DRAWN: YAOSHIXUAN
X.X ±0.35	MODEL NO: WLPN-142A	CHECKED: WUHUAMING
X.XX ±0.25	UNIT: mm	APPROVED: WUHUAMING
X.XXX ±0.10	SCALE: 1:1	DATE: 2020/06/15
ANGLE ±2.0°	REVISION: A	DWG NO:
	SHEET 1/1	FILE: C



**WALCO** 深圳市兴万联电子有限公司  
SHENZHEN XING WAN LIAN ELECTRONICS CO.,LTD.