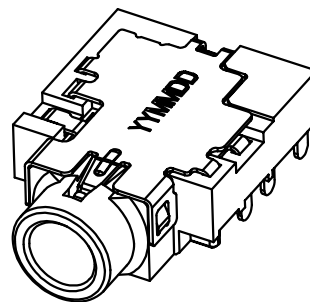
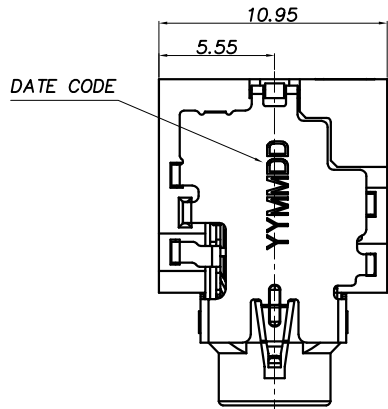
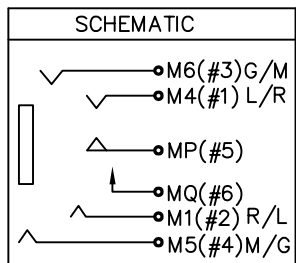


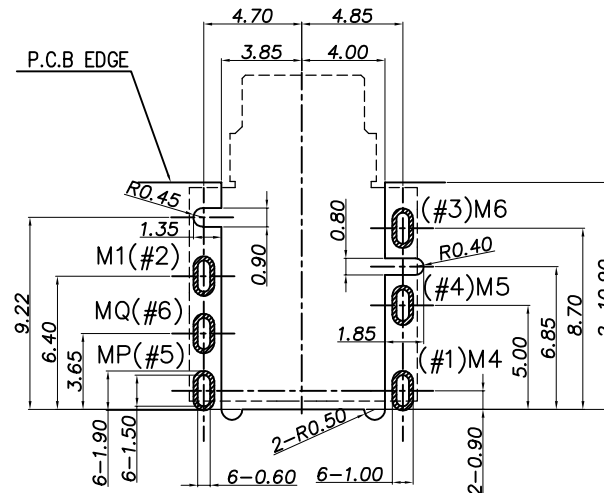
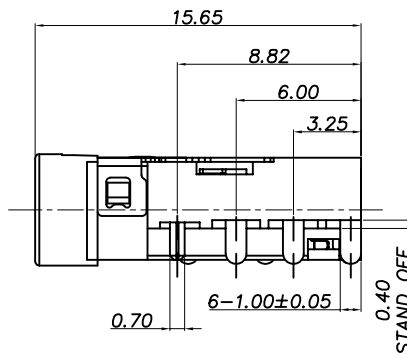
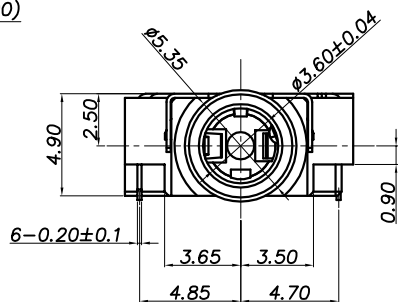
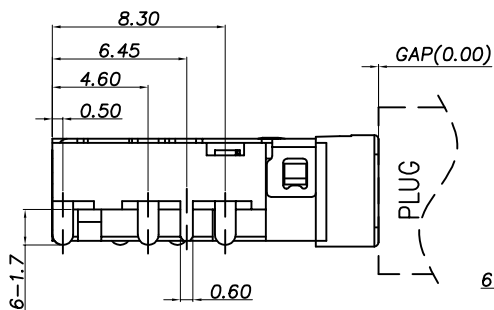
RoHS



REV.	ECR/N NO.	DESCRIPTION	DRAWN	DATE
A	/	NEW	HaiXiang	2017/05/24

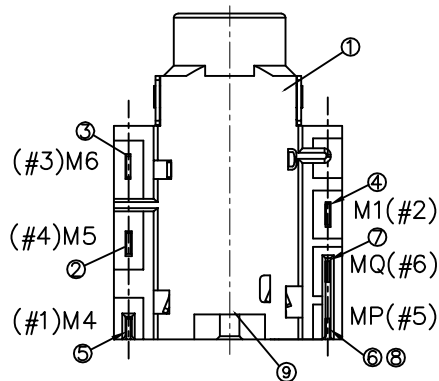
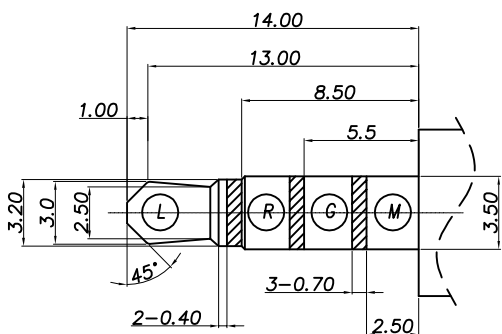


NOTES:
 CURRENT RATING: 1A.
 VOLTAGE RATING: 12V
 INSULATION RESISTANCE: 100MΩ Min.
 CONTACT RESISTANCE: 50mΩ Max(INITIAL);
 100mΩ Max(FINAL);
 DIELECTRIC WITHSTANDING VOLTAGE: 500V/AC 1MINUTE.
 MATING FORCE: 0.3~3Kgf.
 UNMATING FORCE: 0.3~3Kgf.
 DURABILITY: 5000 CYCLES.



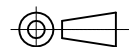
RECOMMENDED PADS LAYOUT
 <TOP VIEW>

TOLERANCE FOR PCB LAYOUT IS ± 0.05



⑨ DUMMY PIN	SUS304	-	1	0.15t
⑧ SEPARATOR	PA9T	UL94V-0	1	BLACK
⑦ MQ_SHUNT	C5210R-EH	Overall nickel plating 50u' Min, Contact area Gold Flash.	1	0.2t
⑥ MP_CONTACT	C5210R-EH		1	0.2t
⑤ M4_CONTACT	C5210R-EH		1	0.2t
④ M1_CONTACT	C5210R-EH		1	0.2t
③ M6_CONTACT	C5210R-EH		1	0.2t
② M5_CONTACT	C5210R-EH	Ni 50u' Min	1	0.2t
① P1_HOUSING	PA9T	UL94V-0	1	BLACK

TOLERANCE	MODEL NAME: φ 3.5mm耳机座 沉板CH=0.9 PA9T黑色 载带包装	DRAWN: DENGJU
X.X ±0.35	MODEL NO: WLPN-128A	CHECKED: YAOSHIXUAN
X.XX ±0.25	UNIT: mm	APPROVED: WUHUAMING
X.XXX ±0.10	SCALE: 1:1	DATE: 2017/05/24
ANGLE ±2.0°	REVISION: A	DWG NO:
	SHEET: 1/1	FILE: C



WLCO 深圳市兴万联电子有限公司
 SHENZHEN XING WAN LIAN ELECTRONICS CO., LTD.