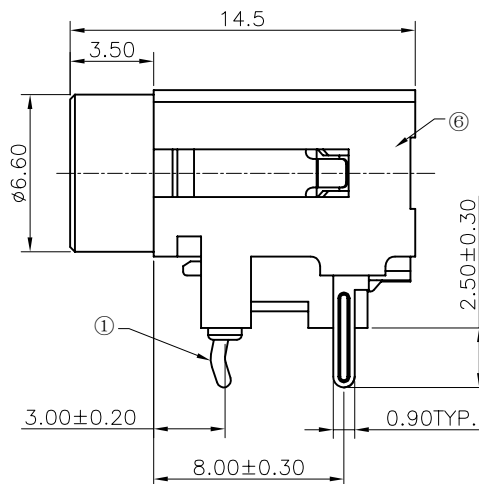
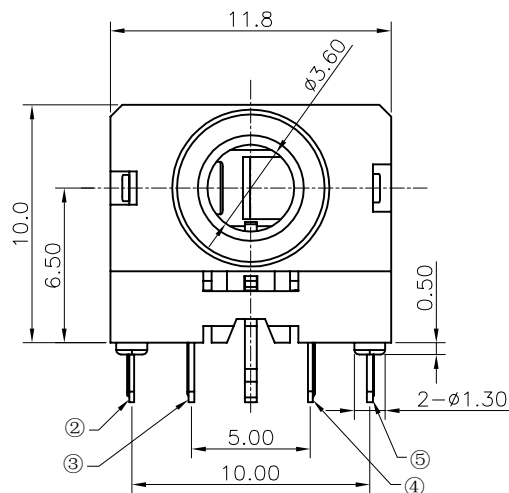


RoHS

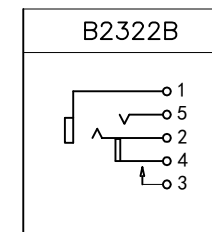
GP 

HF

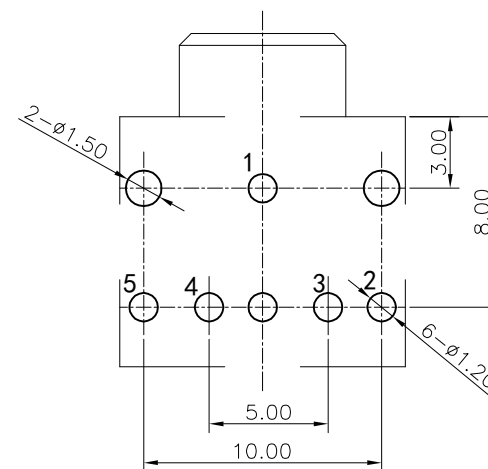
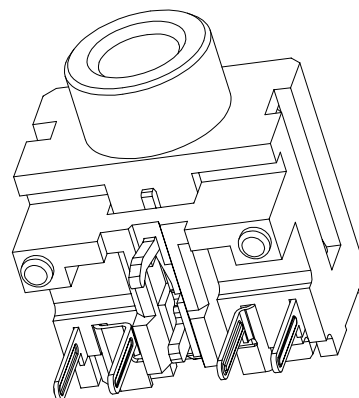
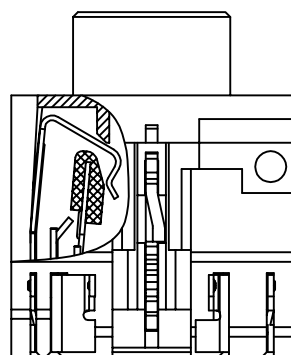
REV.	ECR/N NO.	DESCRIPTION	DRAWN	DATE
A	/	NEW	HaiXiang	2017/03/18
B	/	PBT胶料改为PA9T胶料	DENGJU	2020/10/14
C	/	更换图框	DENGJU	2021/05/17



NOTES:  
 CURRENT RATING: 0.5A.  
 VOLTAGE RATING: 30V.  
 INSULATION RESISTANCE: 1000MΩ Min.  
 CONTACT RESISTANCE: 30 mΩ Max.  
 DIELECTRIC WITHSTANDING VOLTAGE: 500V/AC 1MINUTE.  
 MATING & UNMATING FORCE: 3-30N.  
 DURABILITY: 5000 CYCLES.



SCHEMATIC



RECOMMENDED PCB LAYOUT(TOP VIEW)

DEFAULT TOLERANCE  $\pm 0.05$

NO.	DESCRIPTION	QTY	MATERIAL	COLOR	REMARK
7	SKID	1	PA9T	——	——
6	HOUSING	1	PA9T	——	——
5	SPRING PIECE	1	BRASS	——	Ag-Plating
4	CONTACT FOOT	1	SUS301	——	Ag-Plating
3	CONTACT FOOT	1	BRASS	——	Ag-Plating
2	SPRING PIECE	1	BRASS	——	Ag-Plating
1	CONTACT FOOT	1	BRONZE	——	Ag-Plating

TOLERANCE	MODEL NAME: $\phi 3.5\text{mm}$ AUDIO JACK 中心高 $CH=6.5$ 总高 $10.0$ PA9T黑色	DRAWN: DENGJU
X.X $\pm 0.35$	MODEL NO: WLPN-115A	CHECKED: WUXIAOTAO
X.XX $\pm 0.25$	UNIT: mm	APPROVED: WUHUAMING
X.XXX $\pm 0.10$	SCALE: 1:1	DATE: 2021/05/17
ANGLE $\pm 2.0^\circ$	REVISION: C	DWG NO:
	SHEET 1/1	FILE: C



**WLCO** 深圳市兴万联电子有限公司  
 SHENZHEN XING WAN LIAN ELECTRONICS CO.,LTD.