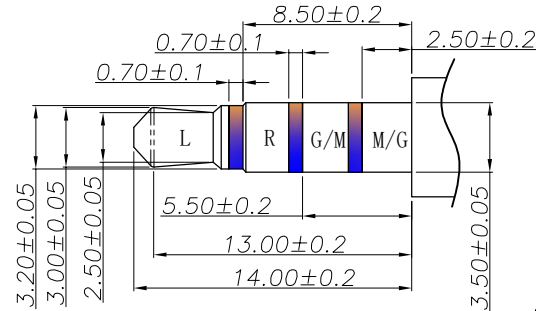
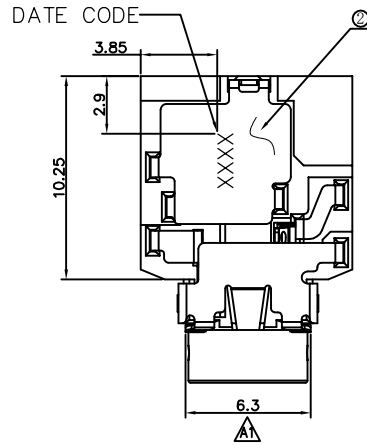
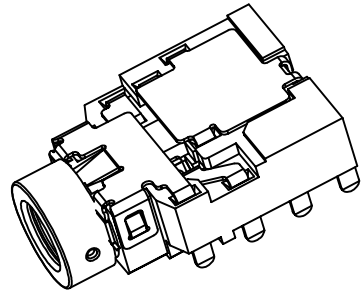


RoHS GP HF

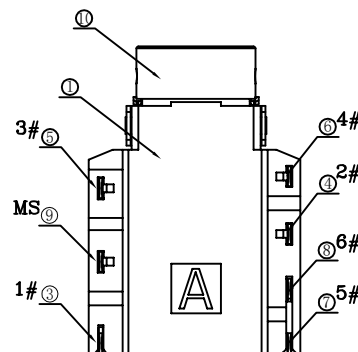
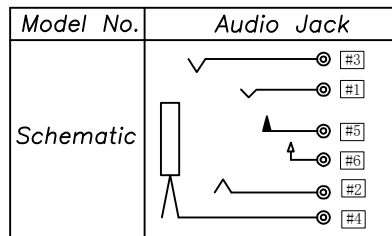
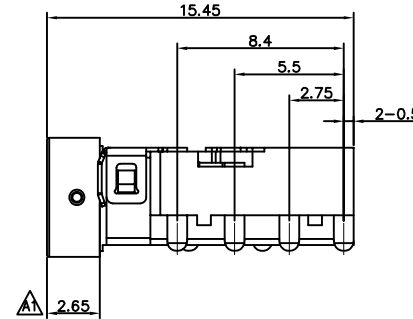
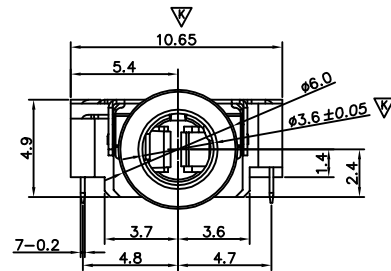
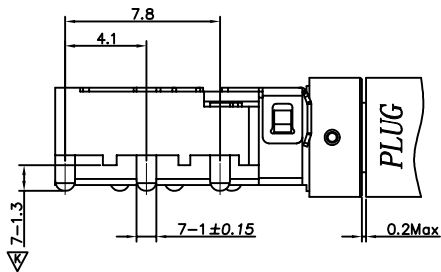
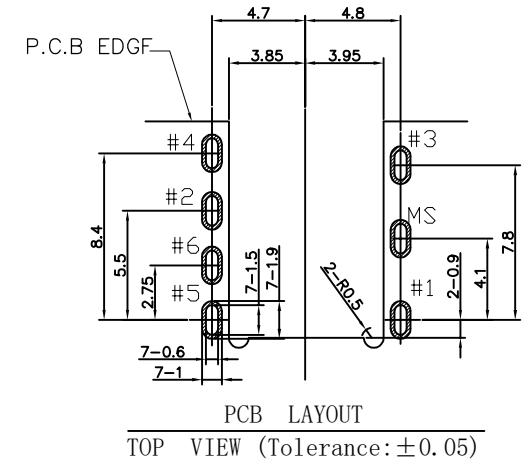
REV.	ECR/N NO.	DESCRIPTION	DRAWN	DATE
B	/	产品结构变更	HAIXIANG	2018/08/07
C	/	产品包装方式变更, 卷盘真空包装	HAIXIANG	2019/05/10
D	/	更换图框	DENGJU	2021/10/11



Specification:

- Rating : DC 30V 0.5A;
- Contact resistance: ≤30mΩ;
After test: ≤50mΩ
- Insulation resistance: ≥100MΩ (500VDC);
After test: ≥50MΩ
- Withstand voltage: 500VAC;
- Insertion and extraction force: 5N~30N;
- Life test: 5000cycles min;
- 带▽尺寸为CPK尺寸

RECOMMENDED PLUG
4-POLE



NO.	DESCRIPTION	QTY	MATERIAL	REMARK
10	METAL BUSHING	1	H59	Ni Plating
9	Shell	1	C2680 0.20t	Nickel 50u" Min
8	6#-TERMINAL	1	C5191 0.20t	GOLD FLASH (1u" ON CONTACT AREA ; MATT TIN 60u" ON SOLDER, ALL OVER 30u" Ni.
7	5#-TERMINAL	1	C5191 0.20t	
3	1#-TERMINAL	1	C5191 0.20t	
5	3#-TERMINAL	1	C5191 0.20t	
4	2#-TERMINAL	1	C5191 0.20t	
6	4#-TERMINAL	1	C5191 0.20t	
2	SEPARATOR	1	PA6T, UL-94V0, HF	Black
1	HOUSING	1	PA6T, UL-94V0, HF	Black

TOLERANCE	MODEL NAME:	DRAWN: DENGJU	
X.X ±0.35	MODEL NO: WLPN-097A	CHECKED: XIAOTAO.WU	
X.XX ±0.25	UNIT: mm	SCALE: 1:1	REVISION: D
X.XXX ±0.10	SHEET	APPROVED: HUAMING.WU	
ANGLE ±2.0°	DATE: 2021/10/11	DWG NO:	
	FILE: C	WZCO 深圳市兴万联电子有限公司	
		SHENZHEN XING WAN LIAN ELECTRONICS CO., LTD.	