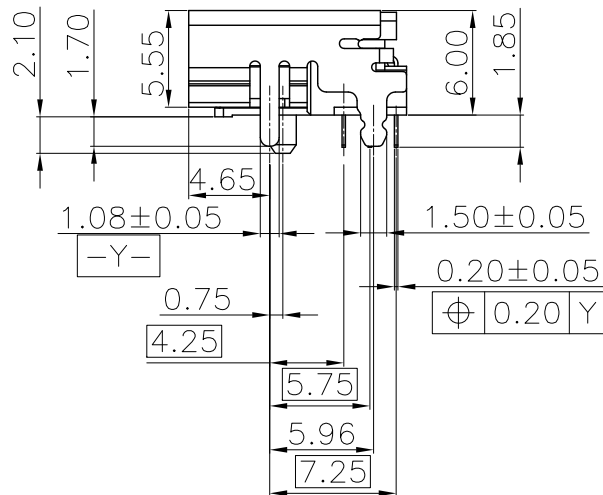
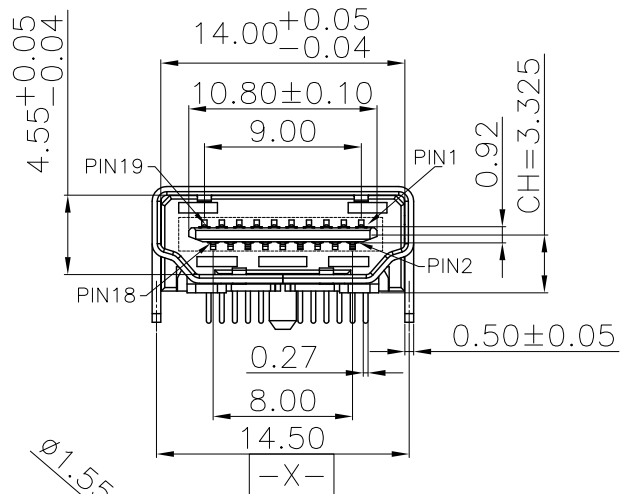
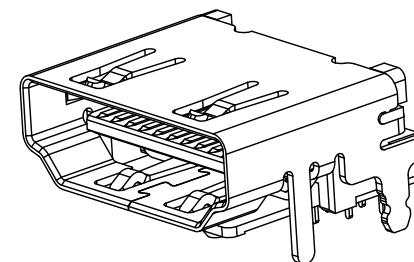
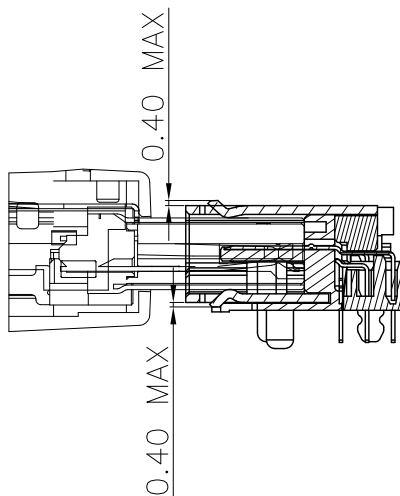
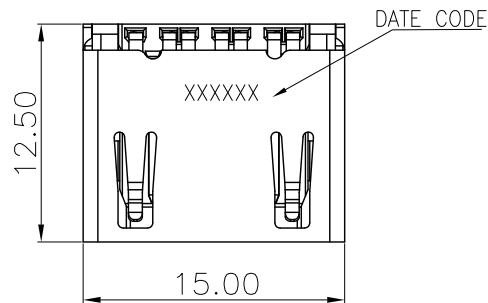


RoHS

GP

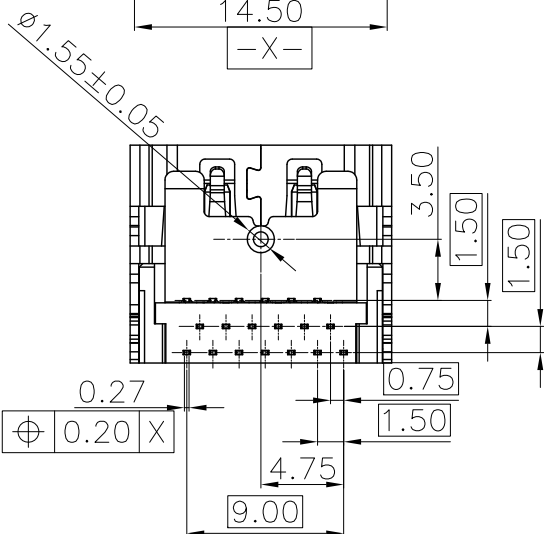
HF

REV.	ECR/N NO.	DESCRIPTION	DRAWN	DATE
A		NEW	CHENGMINGKANG	2021/11/02



NOTE:

- MATERIAL:
  - 1-1.HOUSING: LCP+25% G.,F; UL94V-0; COLOR: BLACK;
  - 1-2.COVER: LCP+25% G.,F; UL94V-0; COLOR: BLACK;
  - 1-3.CAP:PA9T+30% G.,F; UL94V-0; COLOR: BLACK;
  - 1-4.CANTACTS: BRASS(C2680),T=0.20mm;
  - 1-5.SHELL: BRASS(C2680),T=0.50mm;
- PLATING SPECIFICATION:
  - 2-1. CANTACTS:
    - NI 50u" MIN. PLATED ON OVERALL. Au 30u" MIN. PLATED ON THE FUNCTIONAL ARER OF CONTACT. MATTE Sn 50u" MIN. PLATED ON SOLDER AREA.
  - 2-2. SHELL:
    - NI 50u" MIN. PLATED ON OVERALL.
- SPECIFICATION:
  - CONTACT CURRENT RATING: 0.5A MIN.
  - RATED VOLTAGE: 40V AC
  - INSULATION RESISTANCE: 100MΩ MIN.
  - CONTACT RESISTANCE: 30 mΩ MAX.
  - DIELECTRIC WITHSTANDING VOLTAGE: AC 500V FOR 1MINUTE
  - 3-2. MECHANICAL:
    - INSULATION FORCE: 4.50Kgf MAX.
    - REMOVAL FORCE: 1.0~4.0Kgf
    - DURABILITY: 10000 CYCLES
- RECOMMENDED PROCESS:
  - WAVE SOLDER,PEAR UP TEMPERATURE.: 265°C,3~5S.
- HF COMPLIANT.



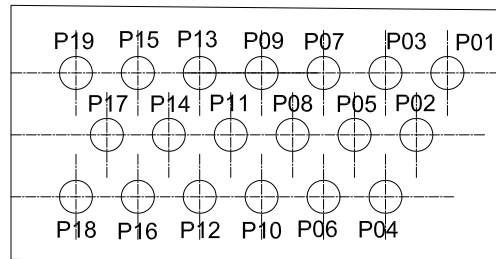
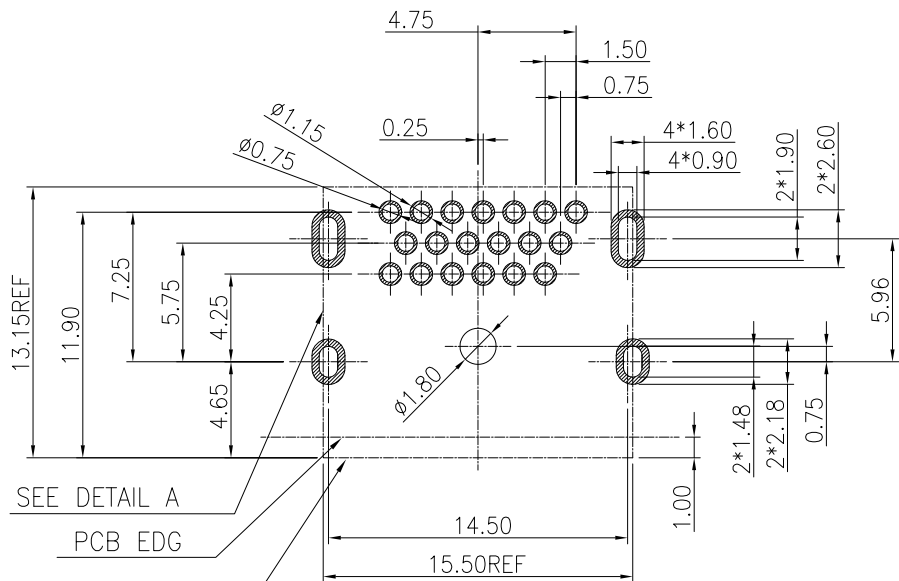
TOLERANCE	MODEL NAME: HDMI 19P 2.1 A/F DIP 90° 三排针脚 端子C2680 合金镀锡 15u"外壳C2680 筒长1.85mm LCP黑 环保保 吸塑盘包装	DRAWN: CHENGMINGKANG
X.X ±0.30	MODEL NO: WLDM-209C	CHECKED: WUXIAOTAO
X.XX ±0.25	UNIT: mm	APPROVED: WUHUAMING
X.XXX ±0.15	SCALE: 1:1	DATE: 2021/11/02
ANGLE ±2.0°	REVISION: A	DWG NO:
	SHEET: 1/2	FILE: C
	 <b>深圳市兴万联电子有限公司</b> SHENZHEN XING WAN LIAN ELECTRONICS CO., LTD.	

RoHS

GP



REV.	ECR/N NO.	DESCRIPTION	DRAWN	DATE
A		NEW	CHENGMINGKANG	2021/11/02

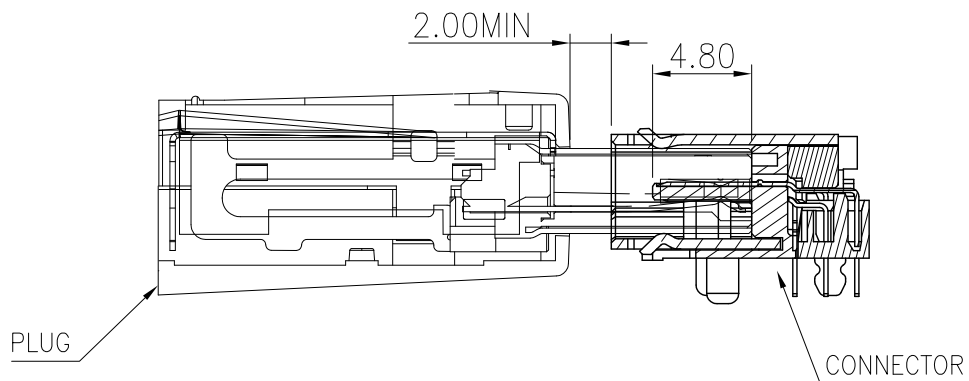


DETAIL A  
SCALE 2:1

SEE DETAIL A  
PCB EDG  
CONNECTOR PROFILE

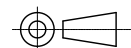
RECOMMENDED P.C.B LAYOUT  
THICKNESS:1.60mm(TOP VIEW)  
DEFAULT TOL ±0.05

Pin Signal Assignment		
CATEGORY	1,2PIN SSGNMENT	CATEGORY 3PIN SSGNMENT
1	TMDS Data2+	Data2+
2	TMDS Data2 Shield	Data2 Shield
3	TMDS Data2-	Data2-
4	TMDS Data1+	Data1+
5	TMDS Data1 Shield	Data1 Shield
6	TMDS Data1-	Data1-
7	TMDS Data0+	Data0+
8	TMDS Data0 Shield	Data0 Shield
9	TMDS Data0-	Data0-
10	TMDS Clock+	Clock+
11	TMDS Clock Shield	Clock Shield
12	TMDS Clock-	Clock
13	CEC	CEC
14	Utility	Utility
15	SCL	SCL
16	SDA	SDA
17	DCC/CEC Ground	DCC/CEC Ground
18	+5V Power	+5V Power
19	Hot Plug Detect	Hot Plug Detect
SHELL	Shield	Shield



PLUG AND RECEPTACLE. FULLY MATED DRAWING

TOLERANCE	MODEL NAME: HDMI 19P 2.1 A/F DIP 90°三排针脚 端子C2680 合金镀锡 15u"外壳C2680 脚长1.85mm LCP塑料环保 吸塑盘包装				DRAWN: CHENGMINGKANG
X.X ±0.30	MODEL NO: WLDM-209C				CHECKED: WUXIAOTAO
X.XX ±0.25	UNIT: mm	SCALE: 1:1	REVISION: A	SHEET: 2/2	APPROVED: WUHUAMING
X.XXX ±0.15	DATE: 2021/11/02				DWG NO:
ANGLE ±2.0°	DWG NO:				FILE: C



**WLCO** 深圳市兴万联电子有限公司  
SHENZHEN XING WAN LIAN ELECTRONICS CO., LTD.