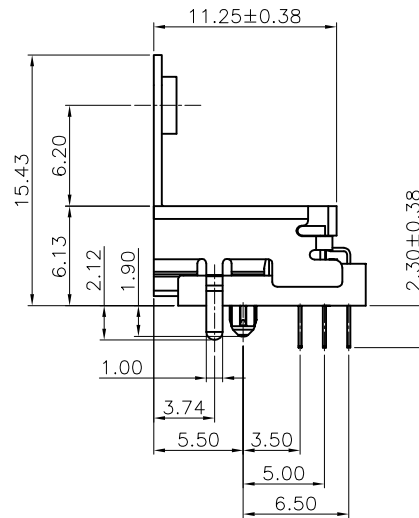
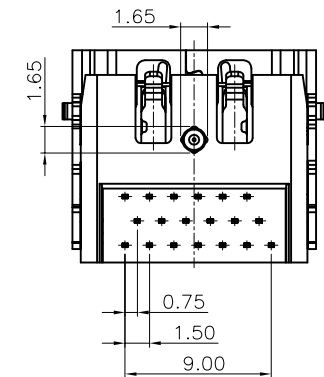
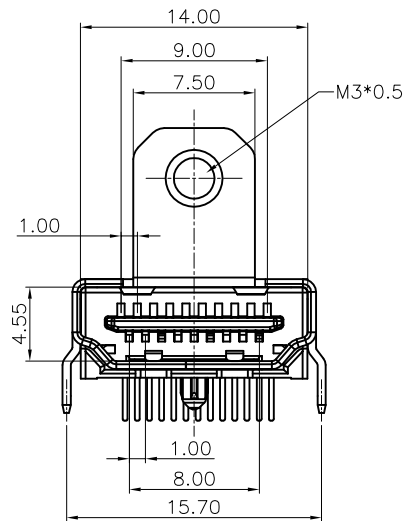
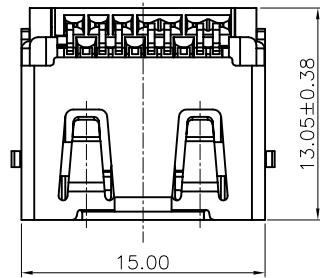


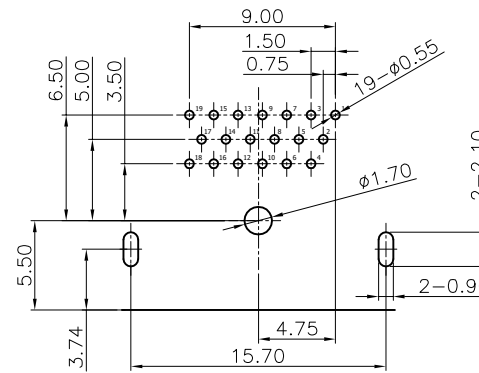
RoHS GP HF

REV.	ECR/N NO.	DESCRIPTION	DRAWN	DATE
A	/	NEW	PYP	2016/09/09
B	ER2108124	修改后盖内孔形状	DENGJU	2021/09/16



NOTE:

- MATERIAL:  
HOUSING: THERMOPLASTICS,UL94V-0; COLOR: BLACK  
CONTACT: COPPER ALLOY  
SHELL: COPPER ALLOY
- FINISH:  
CONTACT: AU PLATED ON CONTACT ARCA,  
MATTE TIN PLATED ON SOLDER TAILS,  
NICKEL UNDERPLATING OVER ALL.  
SHELL: NICKEL UNDERPLATING OVER ALL.
- SPECIFICATION:  
3.1: ELECTRICAL:  
INSULATION RESISTANCE(EIA-364-21):  
100mΩ Min. AT 500V/DC FOR 1MINUTE.  
CONTACT RESISTANCE(EIA-364-06): 10 mΩ Max.  
DIELECTRIC WITHSTANDING VOLTAGE(EIA-364-20):  
NO DISCHARGE, FLASHOVER OR BREAKDOWN AT 500V/AC 1MINUTE

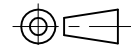


RECOMMENDED PCB LAYOUT(TOP VIEW)

T=1.60mm DEFAULT TOLERANCE ±0.05

Pin	SIGNAL NAME
1	TMDS Data2+
2	TMDS Data2 Shield
3	TMDS Data2-
4	TMDS Data1+
5	TMDS Data1 Shield
6	TMDS Data1-
7	TMDS Data0+
8	TMDS Data0 Shield
9	TMDS Data0-
10	TMDS Clock+
11	TMDS Clock Shield
12	TMDS Clock-
13	CEC
14	Reserved(N.C.)
15	SCL
16	SDA
17	DDC/CEC Ground
18	+5V Power
19	Hot Plug Detect

TOLERANCE	MODEL NAME: HDMI 19PIN A TYPE母座 三排DIP LCP黑色有柱 铜壳前脚外排 带锁孔H6.2 针长2.30 端子半锡G.F 吸塑包装 ROHS环保	DRAWN:	DENGJU
X.X ±0.35	MODEL NO: WLDM-134B	CHECKED:	WUXIAOTAO
X.XX ±0.25	UNIT: mm	APPROVED:	WUHUAMING
X.XXX ±0.10	SCALE: 1:1	DATE:	2021/09/16
ANGLE ±2.0°	REVISION: B	DWG NO:	
	SHEET 1/1	FILE:	C



**WLCO** 深圳市兴万联电子有限公司  
SHENZHEN XING WAN LIAN ELECTRONICS CO.,LTD.