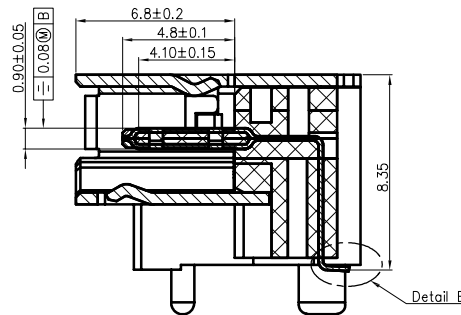
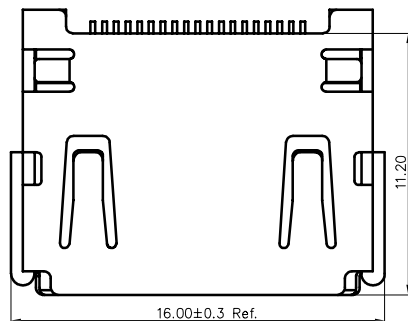
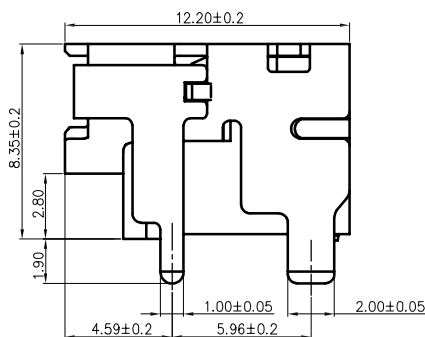
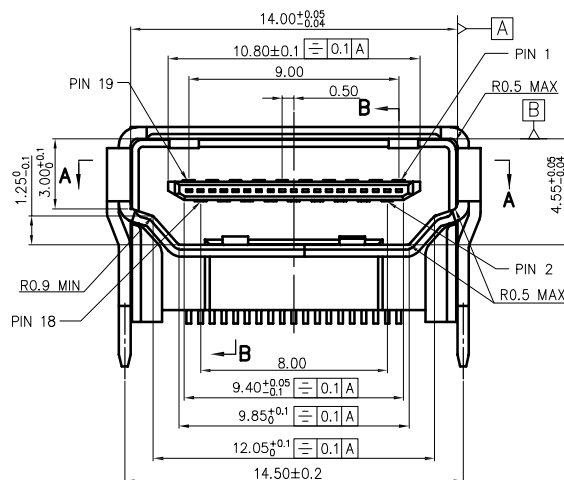


RoHS GP HF

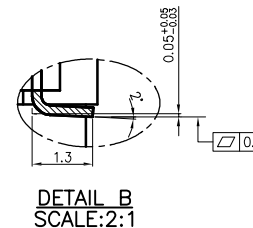
| MARK | ECN NO. | DESCRIPTION | DESIGN | DATE |
|------|---------|-------------|--------|------|
| A | --- | NEW | --- | --- |



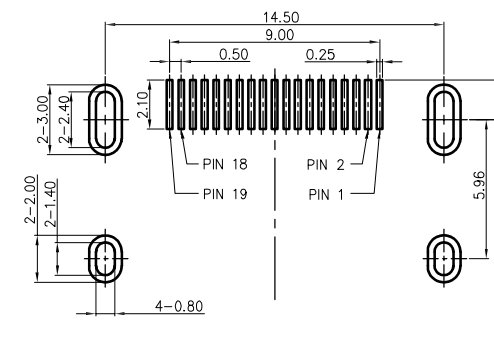
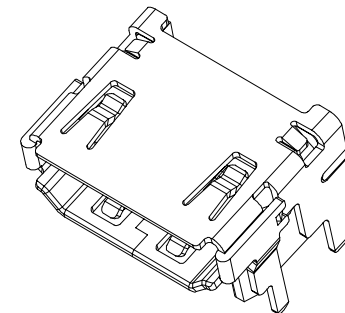
SECTION B-B



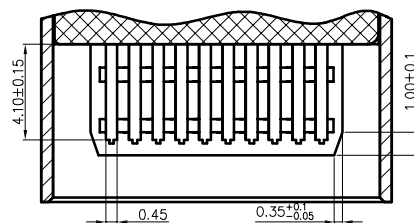
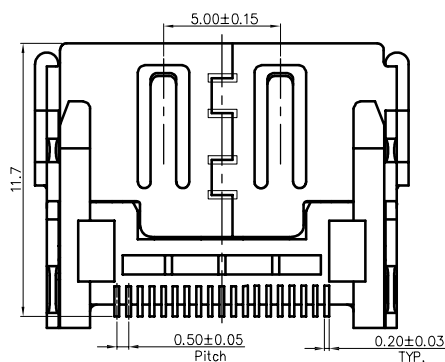
SECTION A-A



DETAIL B
SCALE:2:1



PCB LAYOUT



| | | | | | | |
|-------------|---|--|-----------|-------|-----------|------------|
| Tolerance | Model Name: | HDMI 19P SMT型 垫高2.8 铜壳四脚不带卡点 LCP黑胶 端子半锡G.F | | | Drawing: | DENGJU |
| X.X ±0.30 | Model No: | WLDM-090A | | | Checked: | YAOSHIXUAN |
| X.XX ±0.25 | UNIT: | SCALE: | REVISION: | SHEET | Approved: | WUHUAMING |
| X.XXX ±0.15 | mm | FULL | A | 1/1 | Date: | 2015.04.18 |
| Angle ±2.0° |  WLCO 深圳市兴万联电子有限公司 SHENZHEN XINGWANLIAN TECHNOLOGY CO, LTD | | | | DWG NO. | |
| | | | | | FILE: | C |