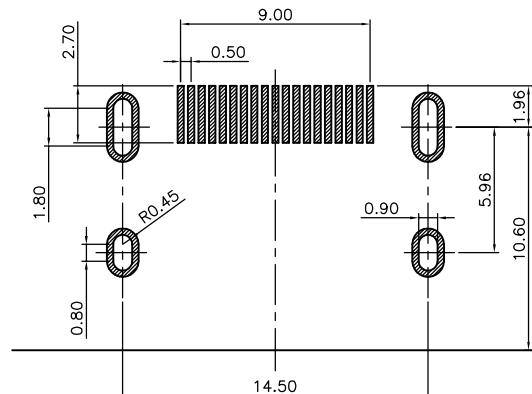
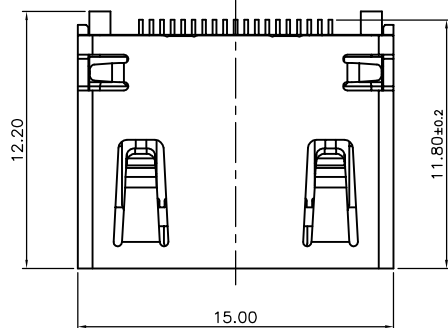


RoHS GP HF

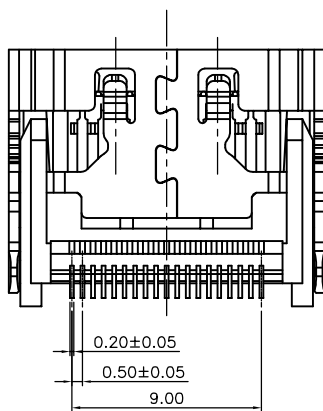
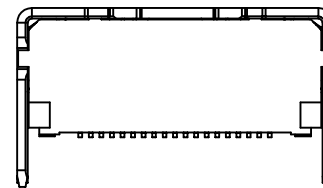
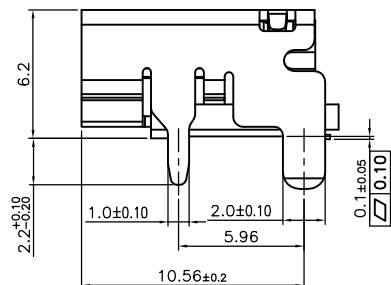
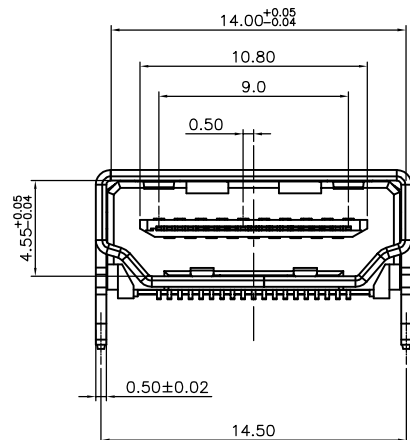
REV.	ECR/N NO.	DESCRIPTION	DRAWN	DATE
A	/	NEW	YAOSHIXUAN	2018/09/21



PCB LAYOUT(TOP VIEW)

NOTE:

1. MATERIAL:
 - 1-1. 19PIN MOLINDG: LCP UL94V-0; COLOR: BLACK;
 - 1-2. CONTACTS: COPPER ALLOY,T=0.20mm;
 - 1-3. SHELL: SPCC,T=0.50mm
2. PLATING SPECIFICATION:
 - 2-1. CONTACTS:
 - NI 50u" MIN. PLATED ON OVERALL. GOLD FLASH PLATED ON THE FUNCTIONAL ARER OF CONTACT.
 - MATTE SN 80u" MIN. PLATED ON SOLDER AREA.
 - 2-2. SHELL:
 - NI 50u" MIN. PLATED ON OVERALL.
3. SPECIFICATION:
 - 3-1. ELECTRICAL:
 - CONTACT CURRENT RATING: 0.5A
 - INSULATION RESISTANCE: 100MΩ MIN.
 - CONTACT RESISTANCE: 30 mΩ MAX.
 - SHELL RESISTANCE: 50 mΩ MAX.
 - DIELECTRIC WITHSTANDING VOLTAGE: AC 500V FOR 1MINUTE
 - 3-2. MECHANICAL:
 - INSULATION FORCE: 4.5Kgf(44.1N) MAX.
 - REMOVAL FORCE: 1.0~4.0Kgf(9.8~39.2N).
 - DURABILITY: 10000 CYCLES



TOLERANCE	MODEL NAME: HDMI 19P SMT型 新结构无耳有弹无侧弹 铁壳 四脚不带卡点 塑料底座剪短 载带纸盘包装	DRAWN: YAOSHIXUAN
X.X ±0.30	MODEL NO: WLDM-068E	CHECKED: WUHUAMING
X.XX ±0.25	UNIT: mm	APPROVED: WUHUAMING
X.XXX ±0.15	SCALE: 1:1	DATE: 2018/09/21
ANGLE ±2.0°	REVISION: A	DWG NO:
	SHEET: 1/1	FILE: C
	mm	



WLCO 深圳市兴万联电子有限公司
SHENZHEN XING WAN LIAN ELECTRONICS CO.,LTD.