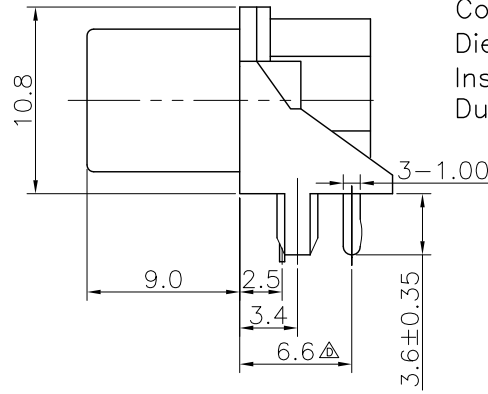
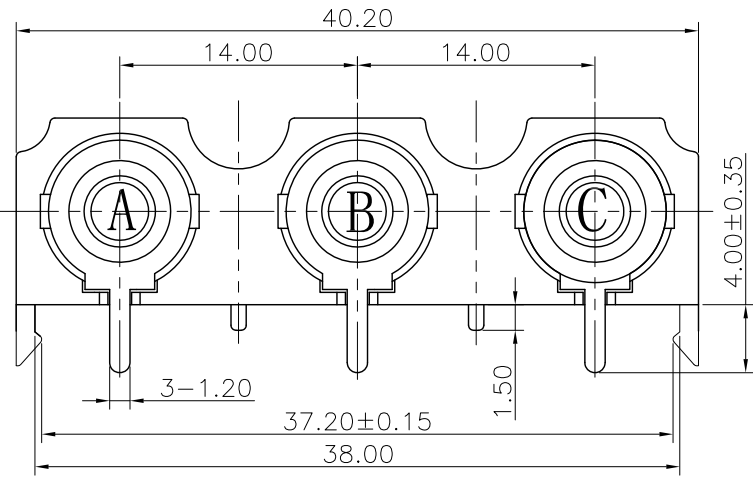
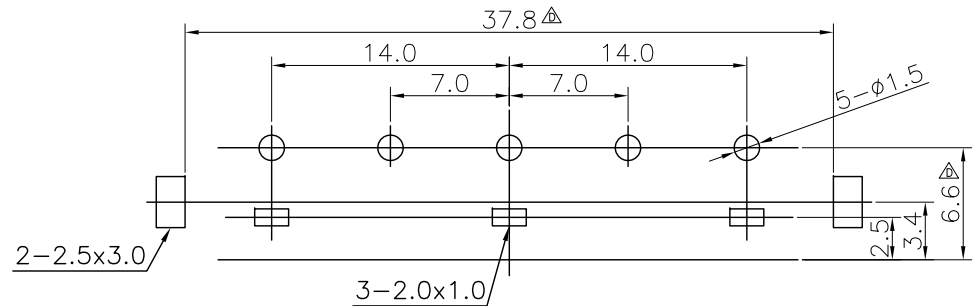
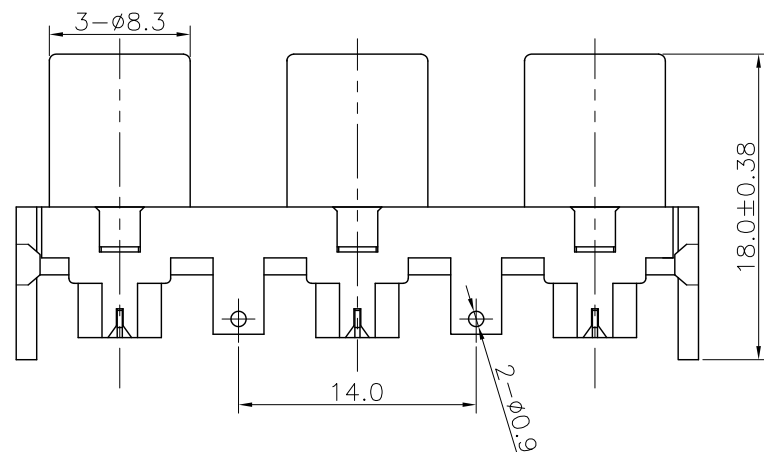


RoHS GP HF

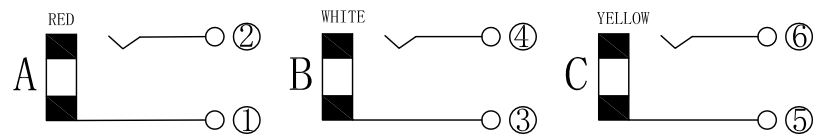
REV.	ECR/N NO.	DESCRIPTION	DRAWN	DATE
B	/	塑胶卡扣变更, 由尺寸38.2mm变更为38.0mm	Haixiang	2018/09/15
C	/	塑胶卡扣变更, 由尺寸37.3mm变更为37.55mm	Haixiang	2018/10/27
D	/	塑胶卡扣变更	SHIXUAN.YAO	2020/09/24



NOTE:
 Contact Current Rating: 0.5A
 Insulation Resistance: 100MΩ Min.
 Contact Resistance: 30 mΩ Max.
 Dielectric Withstanding Voltage: 500V/AC 1Minute.
 Insertion/Withdrawal Force: 3-30N.
 Durability: 5000 cycles.



Recommended P.C.Board hole



ELECTRONIC THEORY

④	插片	黄铜	镀锡
③	基座	PBT UL94V-0	黑色
②	铜套	黄铜	镀锡
①	垫圈	PBT UL94V-0	红/白/黄
序号	零件名称	材料	电镀&颜色
TOLERANCE	MODEL NAME: 三孔AV座 胶芯黑色 垫圈红白黄 RCA-340		DRAWN: YAOSHIXUAN
X.X ±0.35	MODEL NO: WLAV-032A		CHECKED: WUHUAMING
X.XX ±0.25	UNIT:	SCALE:	REVISION:
X.XXX ±0.10	mm	1:1	D
ANGLE ±2.0°	SHEET		1/1
DATE: 2020/09/24			APPROVED: WUHUAMING
DWG NO:			FILE: C
深圳市兴万联电子有限公司 SHENZHEN XING WAN LIAN ELECTRONICS CO., LTD.			