

RoHS GP HF

REV.	ECR/N NO.	DESCRIPTION	DRAWN	DATE
A	/	NEW	SHIXUAN.YAO	2017/05/24

USB		MINI DIN	
Pin #	SIGNAL NAME	Pin #	SIGNAL NAME
1/5	VBUS	P1	DATE
2/6	D-	P2	N/C
3/7	D+	P3	GND
4/8	GND	P4	VCC
		P5	CLK
		P6	N/C

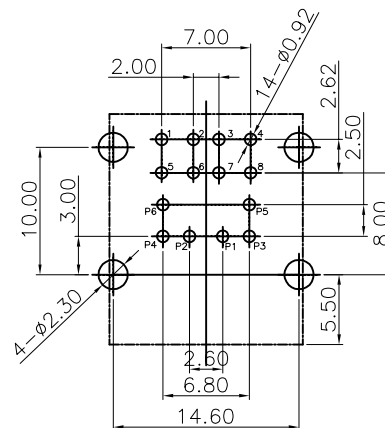
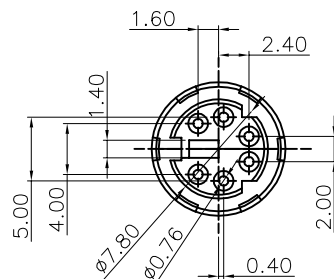
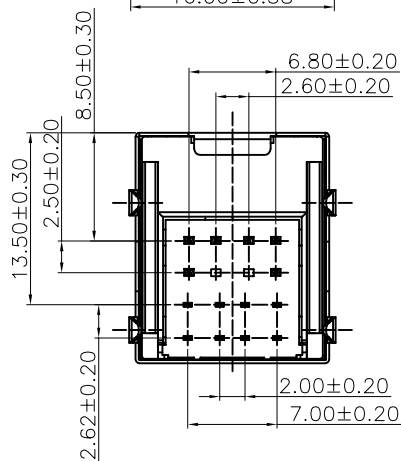
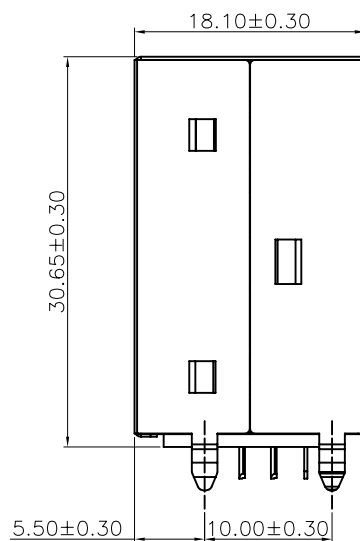
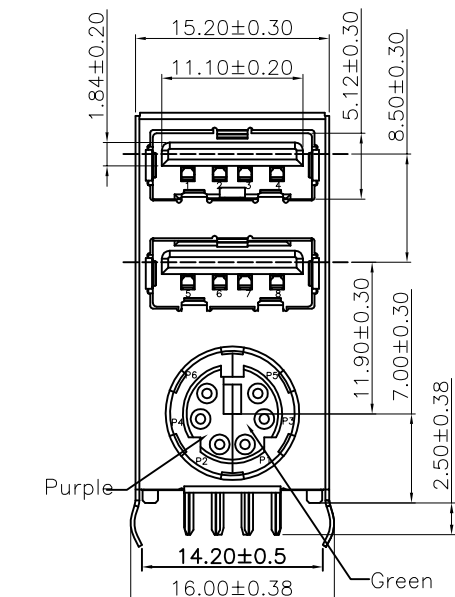
NOTE:

MATERIALS:

1. USB Housing: PBT Color: Black
2. Mini Din Housing: PBT Color: Purple/Green
3. USB Contacts: Brass (T=0.25)
4. Mini Din Contacts: Brass (T=0.20)
5. Shell: SUS430 (T=0.30)

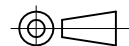
FINISH:

1. USB Contact:
  - Gold Flash Plated On Contact Area
  - Sn(80u" Min) Plated On Solderails
  - Nickel(45u" Min) Under Plated Over All
2. Mini Din Contact:
  - Gold Flash Plated On Contact Area
  - Sn(80u" Min) Plated On Solderails
  - Nickel(45u" Min) Under Plated Over All
3. Shell: Nickel(40u" Min) Plated Over All



REF. PCB. LAYOUT(TOP VIEW)  
(T=1.60mm TOL:±0.05mm)

TOLERANCE	MODEL NAME: 双层USB2.0黑色-MINI DIN双色(紫绿)PBT塑胶 SUS430外壳 端子半金锡G.F吸塑包装 RoHS环保				DRAWN: DENGJU
X.X ±0.35	MODEL NO: WLMD-066A				CHECKED: YAOSHIXUAN
X.XX ±0.25	UNIT:	SCALE:	REVISION:	SHEET	APPROVED: WUHUAMING
X.XXX ±0.10	mm	1:1	A	1/1	DATE: 2017/05/24
ANGLE ±2.0°	DWG NO:				FILE: C



**WLCO** 深圳市兴万联电子有限公司  
SHENZHEN XING WAN LIAN ELECTRONICS CO., LTD.