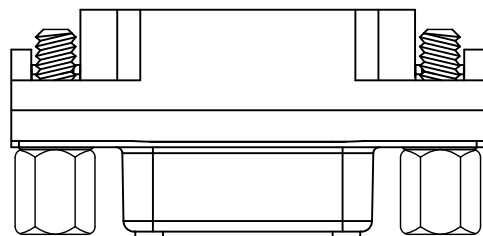


RoHS GP HF

| REV. | ECR/N NO. | DESCRIPTION | DRAWN | DATE |
|------|-----------|-------------|------------|------------|
| A | / | NEW | | |
| B | R1706002 | 鱼叉结构变更 | YOASHIXUAN | 2017/06/06 |
| C | / | 更换图框 | DENGJU | 2021/06/15 |



NOTES:

1. Material:

- 1.1 Housing:PBT Colour:BIUE
- 1.2 Cover:PBT Colour:BIUE
- 1.3 Contact:COPPER ALLOY T=0.20±0.02mm
- 1.4 Screw:1215MS
- 1.5 Shell:SPCC T=0.30±0.02mm
- 1.6 Boardlock:SPCC T=0.50±0.02mm

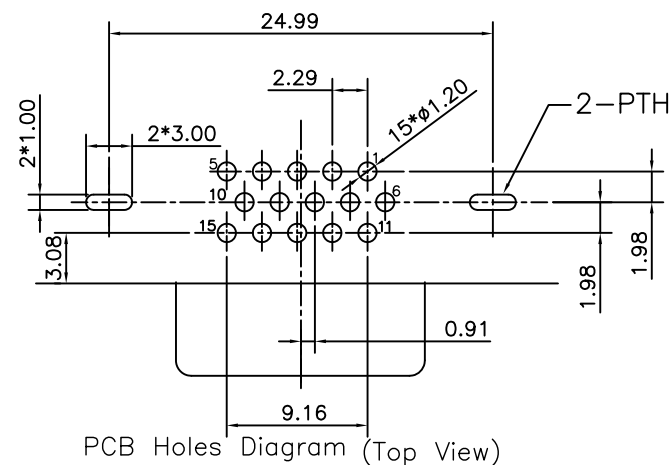
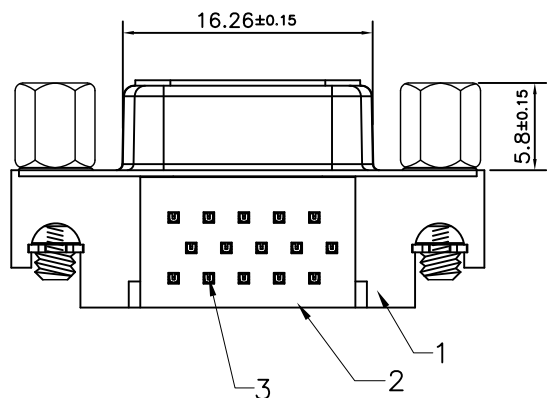
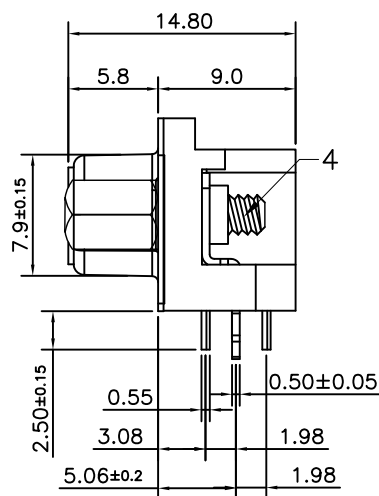
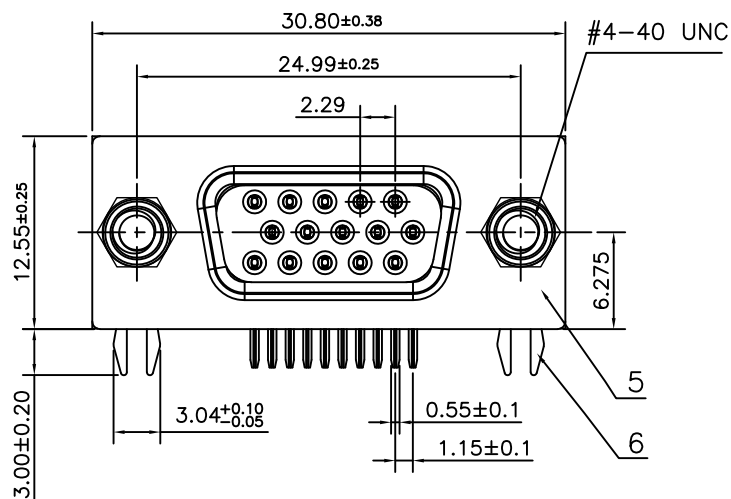
2. PLATING:

Contact: UNDER PLATED 50U"MIN NICKEL OVER ALL 80U"MIN TIN IN SOLDERING AREA OR CONTACT AREA

Screw: UNDER PLATED 50U"MIN CU OVERALL 80U" MIN NICKEL

Shell: UNDER PLATED 50U"MIN Cu OVERALL 80U" MIN NICKEL

Boardlock: UNDER PLATED 50U"MIN CU UNDER PLATED 50U" MIN NICKEL OVERALL 80U" MIN TIN IN SOLDERING AREA



| | | |
|-------------|---|---------------------|
| TOLERANCE | MODEL NAME: HDR 15母3.08直锁 盖胶 5.8螺柱 (半传统全锡) 长2.5 C环保 防火胶芯 (SS鱼叉) 自动机 | DRAWN: DENGJU |
| X.X ±0.35 | MODEL NO: WLHD-051A | CHECKED: WUXIAOTAO |
| X.XX ±0.25 | UNIT: SCALE: REVISION: SHEET | APPROVED: WUHUAMING |
| X.XXX ±0.10 | mm 1:1 C 1/1 | DATE: 2021/06/15 |
| ANGLE ±2.0° | | |
| | WILCO 深圳市兴万联电子有限公司 SHENZHEN XING WAN LIAN ELECTRONICS CO., LTD. | DWG NO: |
| | | FILE: C |