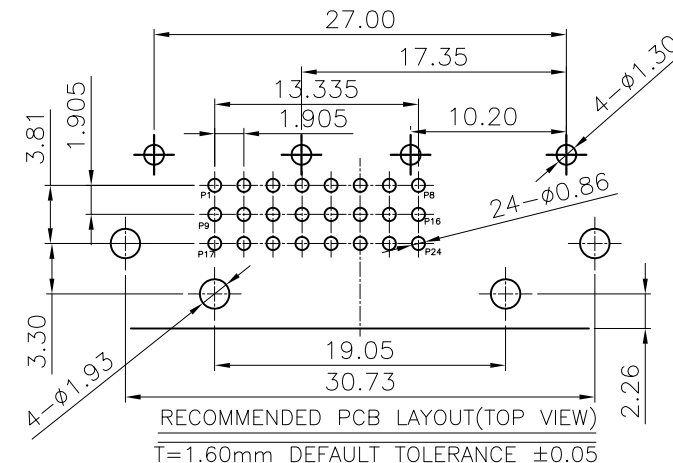
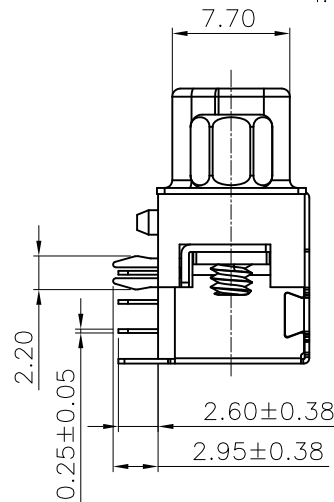
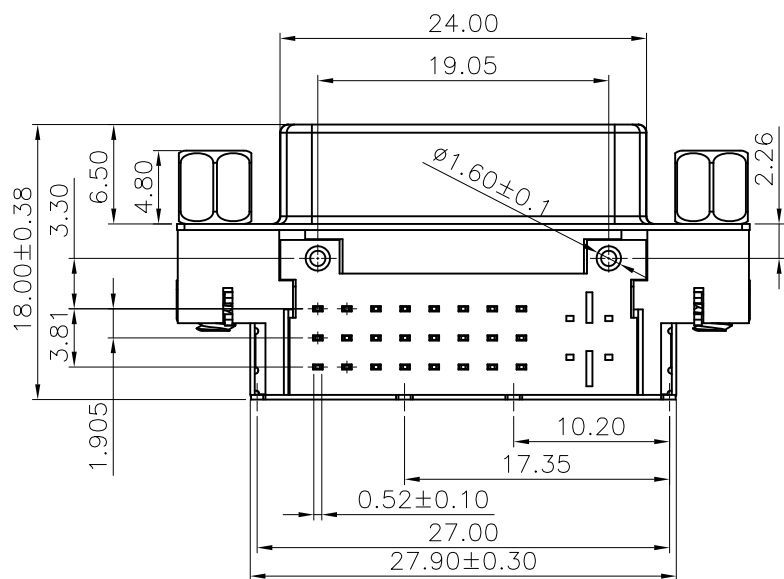
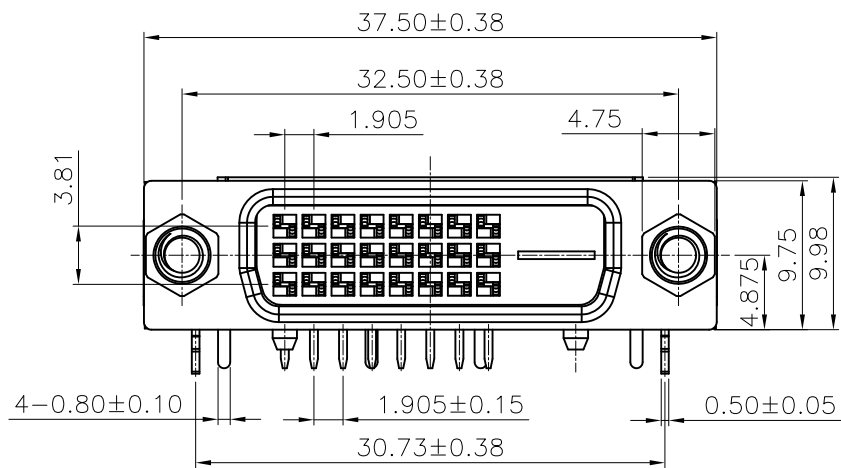


RoHS GP HF

REV.	ECR/N NO.	DESCRIPTION	DRAWN	DATE
A	/	NEW	YAOSHIXUAN	2020/04/18

NOTES:

- MATERIAL:  
HOUSING: PBT,UL94V-0; COLOR: WHITE.  
COVER: PA66,UL94V-0; COLOR: WHITE.  
CONTACT: COPPER ALLOY.T=0.25±0.05mm  
SHELL: SPCC.T=0.40±0.05mm  
SHIELD: SPCC.T=0.30±0.05mm  
BOARD LOCK: SPCC.T=0.50±0.05mm  
RIVET: COPPER ALLOY.  
SCREW: IRON.
- FINISH:  
CONTACT: 0.5u" AU PLATED ON CONTACT AREA,  
50u" TIN PLATED ON SOLDER TAILS,  
30u" NICKEL UNDERPLATING OVER ALL.  
SHELL: 30u" NICKEL PLATING OVER ALL.  
SHIELD: 30u" NICKEL PLATING OVER ALL.  
RIVET: 30u" NICKEL PLATING OVER ALL.  
SCREW: 30u" NICKEL PLATING OVER ALL.  
BOARD LOCK: 50u" TIN PLATED OVER ALL,  
30u" NICKEL UNDERPLATING OVER ALL.
- SPECIFICATION:  
3.1: ELECTRICAL:  
INSULATION RESISTANCE: 1000MΩ Min.  
CONTACT RESISTANCE: 20mΩ Max.  
DIELECTRIC WITHSTANDING VOLTAGE: 500V/AC 1MINUTE.
- ENVIRONMENT:  
OPERATING TEMPERATURE: -55℃~+85℃.  
STORAGE CONDITION: 0-40℃; HUMIDITY: 70±10% RH.



TOLERANCE	MODEL NAME: DV124+1 90度铆锁4.8 带四脚屏蔽(2.26) 白胶	DRAWN: YOASHIXUAN
X.X ±0.35	MODEL NO: WLDV-200A	CHECKED: WUHUAMING
X.XX ±0.25	UNIT: SCALE: REVISION: SHEET	APPROVED: WUHUAMING
X.XXX ±0.10	mm 1:1 A 1/1	DATE: 2020/04/18
ANGLE ±2.0°	<b>WILCO</b> 深圳市兴万联电子有限公司 SHENZHEN XING WAN LIAN ELECTRONICS CO., LTD.	DWG NO:
		FILE: C