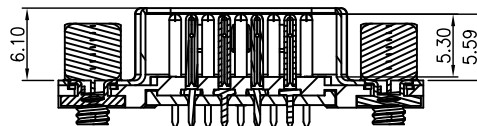
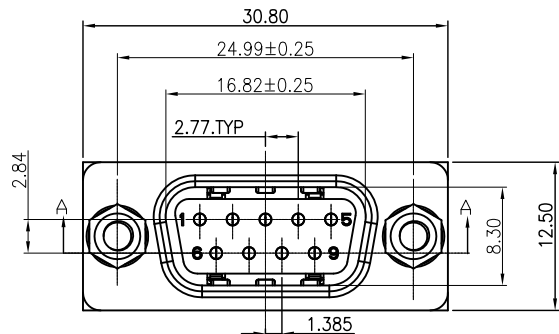


RoHS

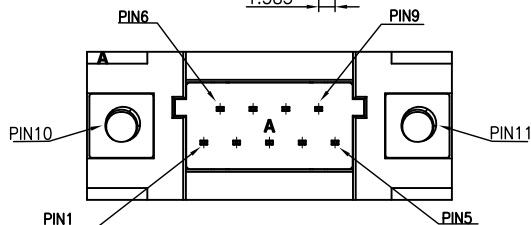
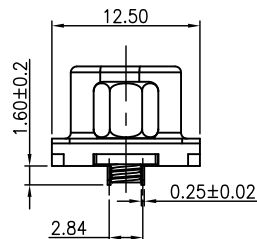
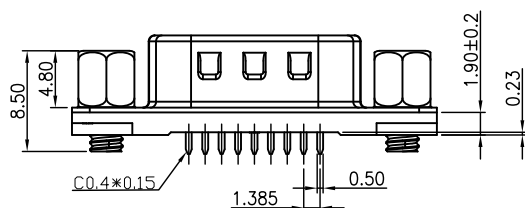
GP

HF

REV.	ECR/N NO.	DESCRIPTION	DRAWN	DATE
A		研发新版发行	CHENGMINGKANG	2021/08/02
B		变更外壳材质	CHENGMINGKANG	2021/11/30



SECTION:A-A



NOTES:

1. MATERIAL:

HOUSING: PA9T UL94V-0 HF, COLOR: BLACK
 COVER: PA9T UL94V-0 HF, COLOR: BLACK.
 CAP: LCP UL94V-0 HF, COLOR: BLACK
 CONTACT: COPPER ALLOY.
 SHELL: COPPER ALLOY.
 RIVET: COPPER ALLOY.
 SCREW: COPPER ALLOY.

2. FINISH:

CONTACT: GOLD FLASH PLATED ON CONTACT AREA,
 TIN PLATED ON SOLDER AREA,
 NICKEL UNDERPLATING OVER ALL.

SHELL: NICKEL PLATING OVER ALL.
 RIVET: NICKEL PLATED OVER ALL.
 SCREW: NICKEL PLATED OVER ALL.

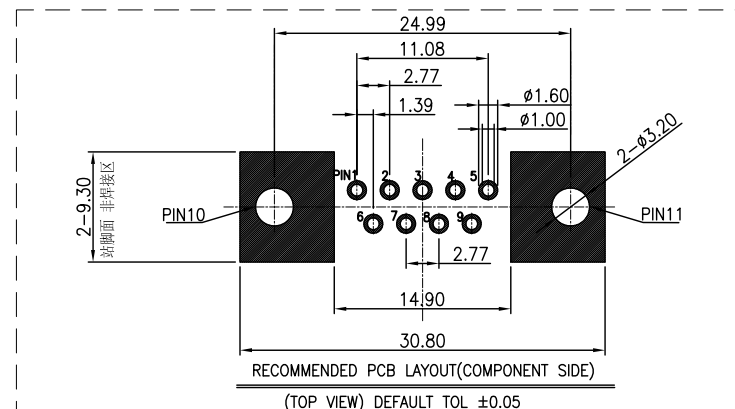
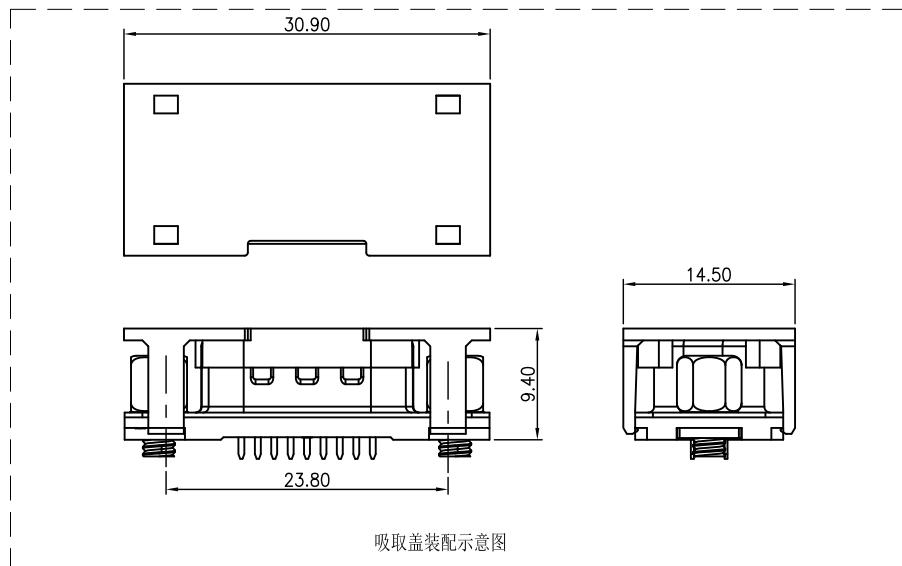
3. SPECIFICATION:

3.1: ELECTRICAL:

CURRENT RATING: 3.0A.
 INSULATION RESISTANCE: 1000MΩ Min.
 CONTACT RESISTANCE: 30mΩ Max.
 DIELECTRIC WITHSTANDING VOLTAGE: 500V/AC 1MINUTE.

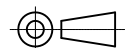
3.2: MECHANICAL:

MATING FORCE: 5.0Kgf Max.
 UNMATING FORCE: 1.5Kgf Min.



(TOP VIEW) DEFAULT TOL ±0.05

TOLERANCE	MODEL NAME: D-SUB 9PIN PTP 180度 针长1.6mm 半金锡 GOLD FLASH 主体PA9T黑胶 外壳黄铜 载带包装	DRAWN: CHENGMINGKANG		
X.X ±0.30	MODEL NO: WLDR-249A	CHECKED: WUXIAOTAO		
X.XX ±0.25	UNIT: mm	SCALE: 1:1	REVISION: B	APPROVED: WUHUAMING
X.XXX ±0.15			SHEET: 1/1	DATE: 2021/11/30
ANGLE ±1.0°	DWG NO:			FILE: C



WLCO 深圳市兴万联电子有限公司
 SHENZHEN XING WAN LIAN ELECTRONICS CO., LTD.