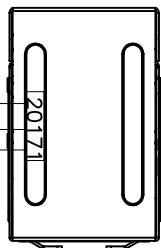


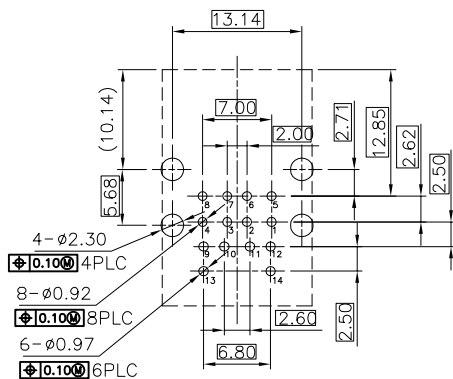
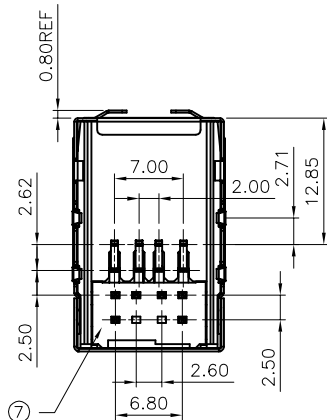
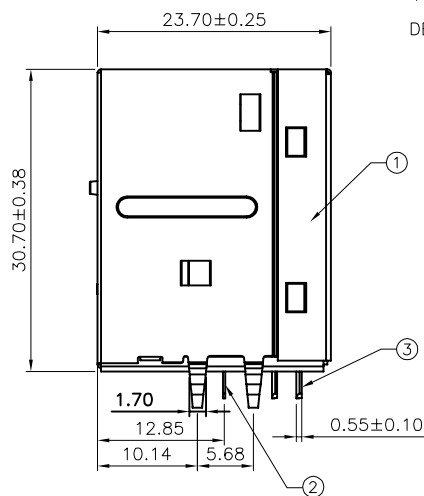
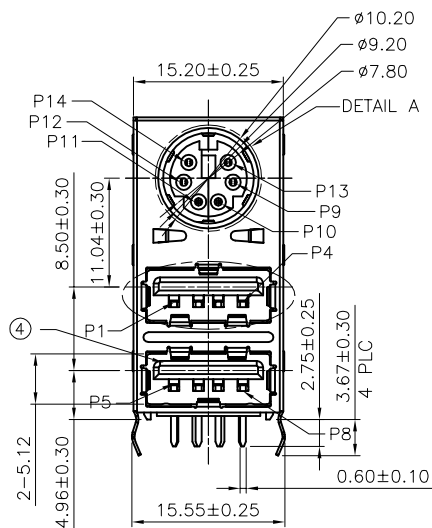
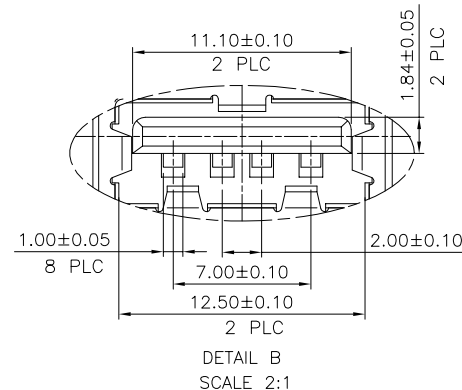
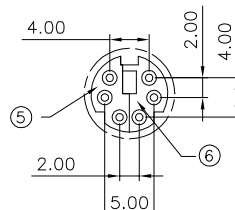
RoHS GP HF

REV.	ECR/N NO.	DESCRIPTION	DRAWN	DATE
A	/	NEW	Shixuan.Yao	2018/10/18
B	/	增加PIN脚定义	DENGNU	2021/09/10

D/C规格:
年数如:20=2020年
周数:01.....52
周别"1.....7"星期一
~星期日



USB		MINI DIN	
Pin #	SIGNAL NAME	Pin #	SIGNAL NAME
1/5	VBUS	P9	GND
2/6	D-	P10	DATE
3/7	D+	P11	N/C
4/8	GND	P12	VCC
		P13	CLK
		P14	N/C



RECOMMENDED PCB LAYOUT(TOP VIEW)
TOLERANCE:±0.05

NAME	MATERIAL	PLATING	COLOR
7 COVER	PA66 30% G/F UL94V-0		BLACK
6 MINI DIN HOUSING	PBT 30% G/F UL94V-0		GREEN
5 MINI DIN BEAD HOUSING	PBT 30% G/F UL94V-0		PURPLE
4 USB HOUSING	PBT UL94V-0		BLACK
3 MINI DIN CONTACT	BRASS T=0.20	Au PLATING ON CONTACT AREA. 100u" MIN. MATTE Sn PLATING ON SOLDER TAIL AREA. 50u" MIN. NICKEL UNDERPLATING OVERALL.	
2 USB CONTACT	BRASS T=0.25	Au PLATING ON CONTACT AREA. 100u" MIN. MATTE Sn PLATING ON SOLDER TAIL AREA. 50u" MIN. NICKEL UNDERPLATING OVERALL.	
1 SHELL	SUS430 T=0.25	Kink MATTE Sn 60u"Min OVER Ni 20u"Min(salt spray 48 hour test)	

TOLERANCE	MODEL NAME:	DRAWN:
X.X ±0.35	PS/2双色(紫绿)+双层USB2.0黑色外壳SUS430 端子半金雾锡G.F	DENGJU
X.XX ±0.25	MODEL NO: WLMD-059A	CHECKED: WUXIAOTAO
X.XXX ±0.10	UNIT: SCALE: REVISION: SHEET	APPROVED: WUHUAMIG
ANGLE ±2.0°	mm 1:1 B 1/1	DATE: 2021/09/10
	WILCO 深圳市兴万联电子有限公司 SHENZHEN XING WAN LIAN ELECTRONICS CO.,LTD.	DWG NO:
		FILE: C