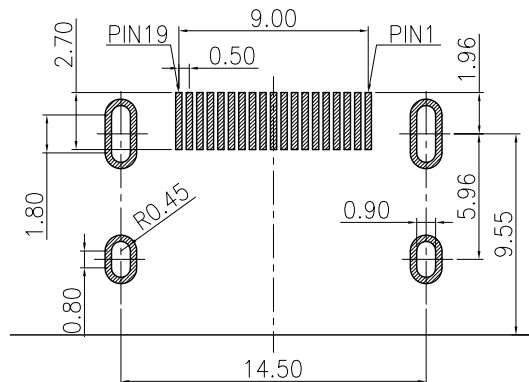
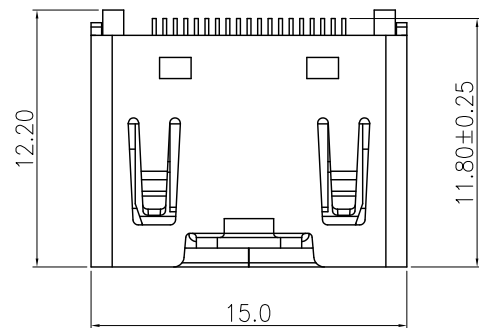
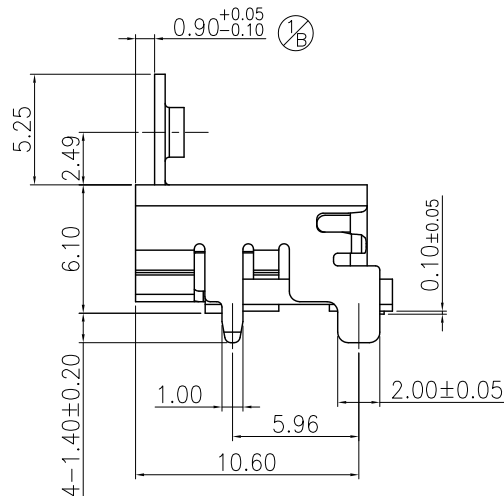
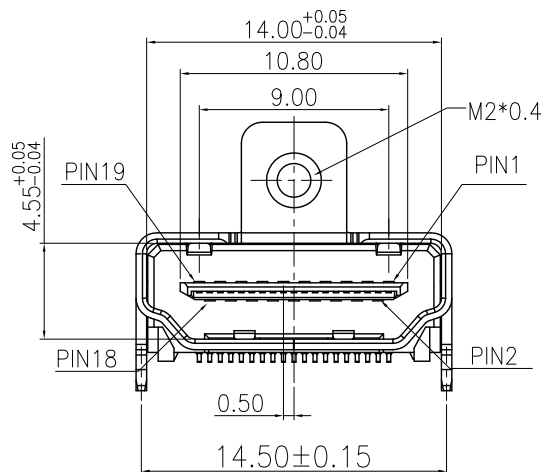


RoHS GP HF

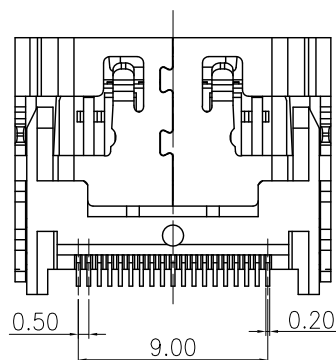
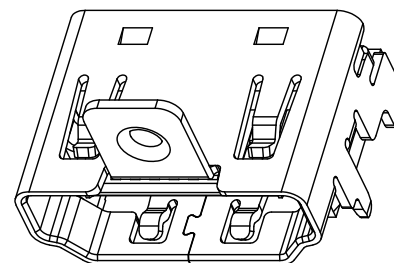
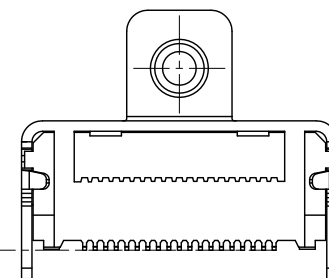
REV.	ECR/N NO.	DESCRIPTION	DRAWN	DATE
A		NEW	YAOSHIXUAN	2020/06/22
B	/	增加法兰到窗口距离管控 $0.9^{+0.05}_{-0.1}$	DongPing	2020/08/06



RECOMMENDED CONNECTOR EDGE(TOP VIEW)
(COMPONENT SIDE, TOP VIEW)



0.10



NOTE:
 1. MATERIAL:
 HOUSING: THERMOPLASTICS, UL94V-0; COLOR: BLACK
 CONTACT: COPPER ALLOY
 SHELL: COPPER ALLOY
 2. FINISH:
 CONTACT: GOLD FLASH PLATED ON CONTACT AREA,
 MATTE TIN 80u" MIN. PLATED ON SOLDER TAILS,
 NICKEL 50u" MIN. UNDERPLATING OVER ALL.
 SHELL: NICKEL 50u" MIN. UNDERPLATING OVER ALL.
 3. SPECIFICATION:
 3.1: ELECTRICAL:
 INSULATION RESISTANCE(EIA-364-21): 100MΩ MIN.
 CONTACT RESISTANCE: 30 MΩ MAX.
 DIELECTRIC WITHSTANDING VOLTAGE: AC 500V FOR 1MINUTE.

TOLERANCE	MODEL NAME: HDMI 19P SMT型 有耳有弹, 四脚不带卡点 LCP 黑胶环保防火 铜壳螺丝孔高2.49 外壳脚长1.40 端子C2680半金雾锡6/F	DRAWN: YAOSHIXUAN
X.X ±0.35	MODEL NO: WLDM-038D	CHECKED: WUXIAOTAO
X.XX ±0.25	UNIT: mm	APPROVED: WUHUAMING
X.XXX ±0.10	SCALE: 1:1	DATE: 2020/06/22
ANGLE ±2.0°	REVISION: A	DWG NO:
	SHEET: 1/1	FILE: C
	 深圳市兴万联电子有限公司 SHENZHEN XING WAN LIAN ELECTRONICS CO., LTD.	