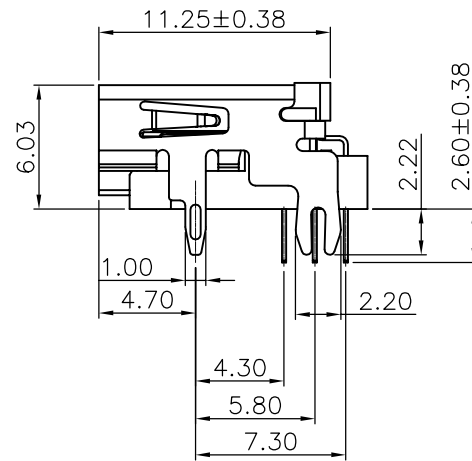
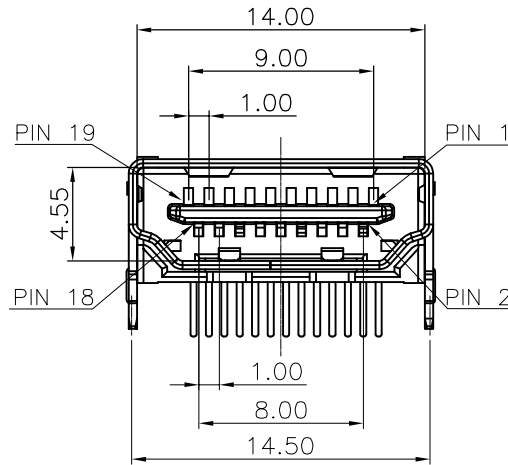
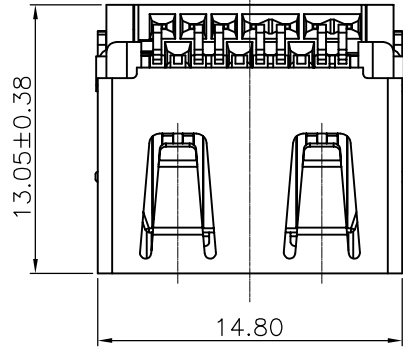


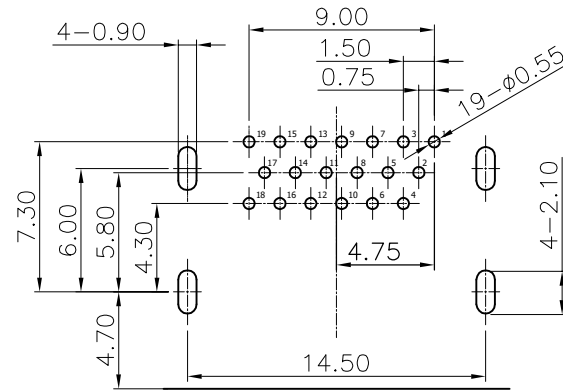
RoHS GP HF

REV.	ECR/N NO.	DESCRIPTION	DRAWN	DATE
A	/	NEW	YAOSHIXUAN	2017/09/21
B	ER2108124	修改后盖内孔形状	DENGJU	2021/09/16

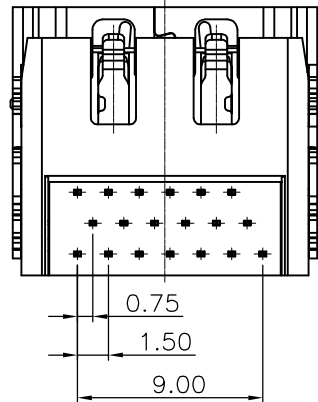


NOTES:

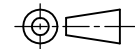
- MATERIAL:
HOUSING: LCP,UL94V-0; COLOR: BLACK.
CONTACT: COPPER ALLOY.
SHELL: COPPER ALLOY.
- FINISH:
CONTACT: GOLD FLASH PLATED ON CONTACT AREA,
80u" TIN PLATED ON SOLDER TAILS,
50u" NICKEL UNDERPLATING OVER ALL.
SHELL: 50u" NICKEL PLATING OVER ALL.
- SPECIFICATION:
INSULATION RESISTANCE: 100MΩ Min.
CONTACT RESISTANCE: 30mΩ Max.
DIELECTRIC WITHSTANDING VOLTAGE: 500V/AC 1MINUTE.



Pin	SIGNAL NAME
1	TMDS Data2+
2	TMDS Data2 Shield
3	TMDS Data2-
4	TMDS Data1+
5	TMDS Data1 Shield
6	TMDS Data1-
7	TMDS Data0+
8	TMDS Data0 Shield
9	TMDS Data0-
10	TMDS Clock+
11	TMDS Clock Shield
12	TMDS Clock-
13	CEC
14	Reserved(N.C.)
15	SCL
16	SDA
17	DDC/CEC Ground
18	+5V Power
19	Hot Plug Detect



TOLERANCE	MODEL NAME: HDMI 19P 三排DIP型无耳有弹 铜壳前脚鱼叉 LCP黑色 吸塑包装 RoHS环保	DRAWN: DENGJU
X.X ±0.35	MODEL NO: WLDM-008A	CHECKED: WUXIAOTAO
X.XX ±0.25	UNIT: mm	APPROVED: WUHUAMING
X.XXX ±0.10	SCALE: 1:1	DATE: 2021/09/16
ANGLE ±2.0°	REVISION: B	DWG NO:
	SHEET: 1/1	FILE: C
	SHENZHEN XING WAN LIAN ELECTRONICS CO.,LTD.	



WLCO 深圳市兴万联电子有限公司
SHENZHEN XING WAN LIAN ELECTRONICS CO.,LTD.