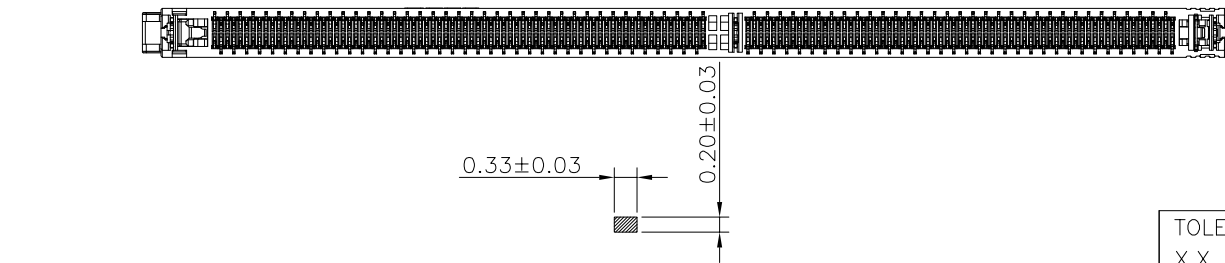
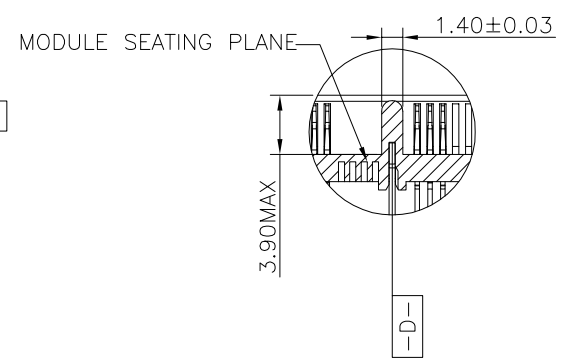
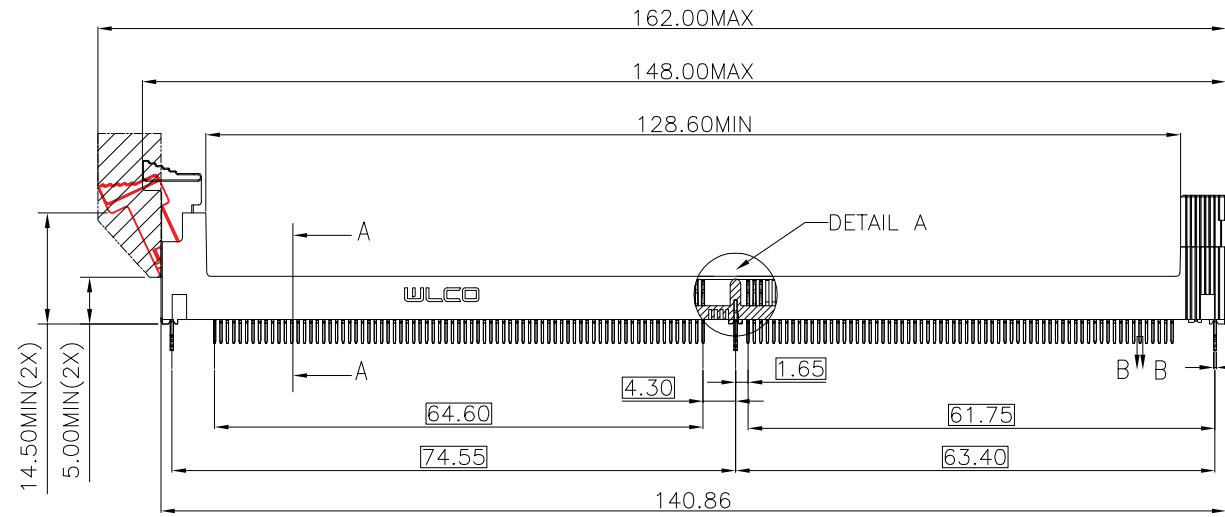
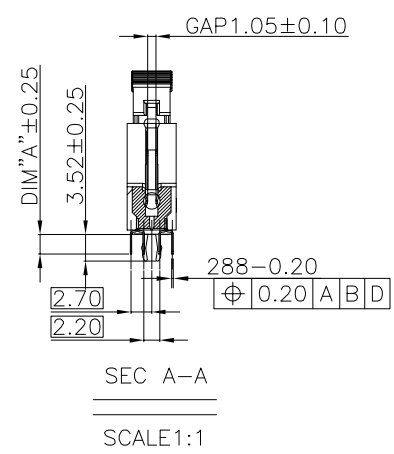
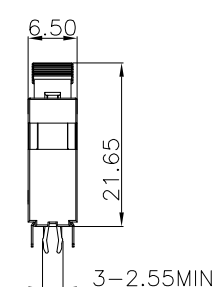
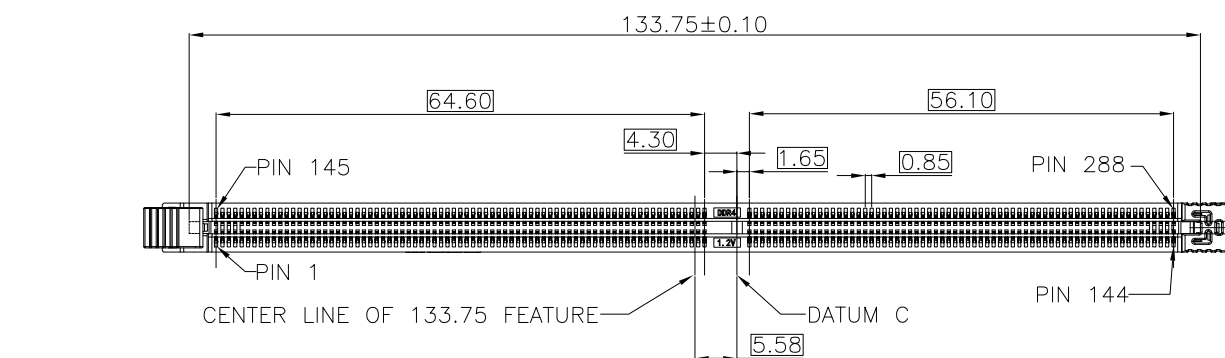
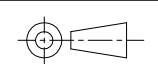


RoHS GP HF

REV.	ECR/N NO.	DESCRIPTION	DRAWN	DATE
A	—	NEW	LongQiang	20/07/07
B	—	—	LongQiang	21/06/01



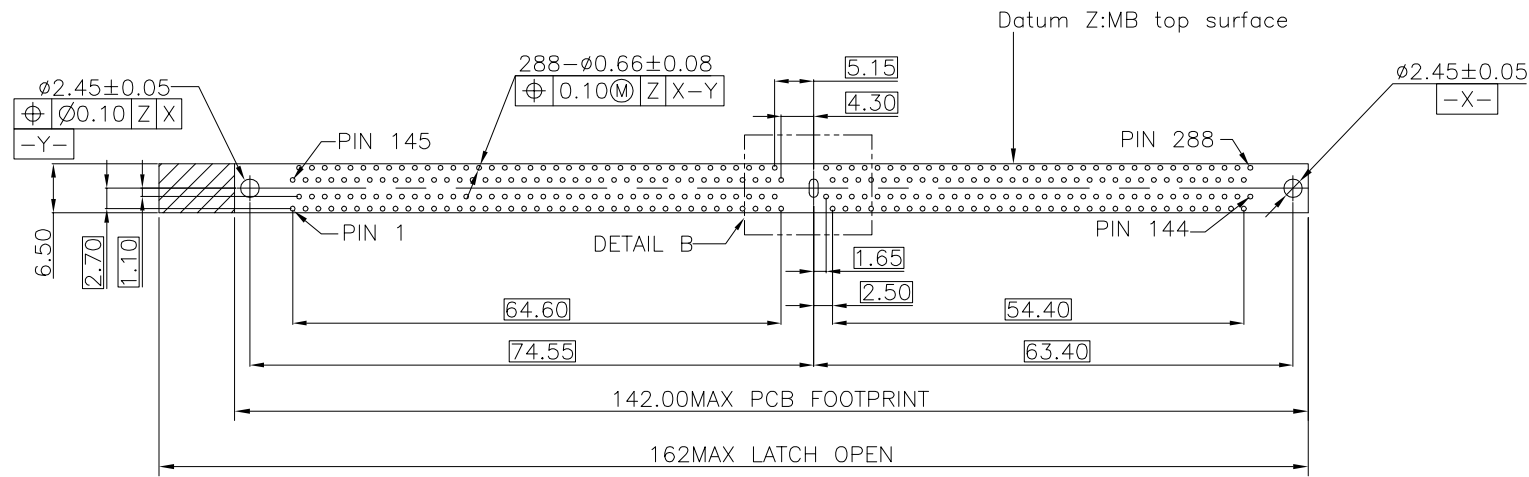
TOLERANCE	MODEL NAME: DDR4 288PIN SINGLE LATCH ON LONG SIDE TYPE	DRAWN: LongQiang.Peng
X.X $\pm 0.35$	MODEL NO: SEE TABLE	CHECKED: YouHua.Cai
X.XX $\pm 0.25$	UNIT: mm	APPROVED: YouHua.Cai
X.XXX $\pm 0.10$	SCALE: 1:1	DATE: 2021/06/01
ANGLE $\pm 1.0^\circ$	REVISION: B	DWG NO: C-WLDD-288P05
	SHEET: 1/5	FILE: C



**WLCO** 深圳市兴万联电子有限公司  
SHENZHEN XING WAN LIAN ELECTRONICS CO., LTD.

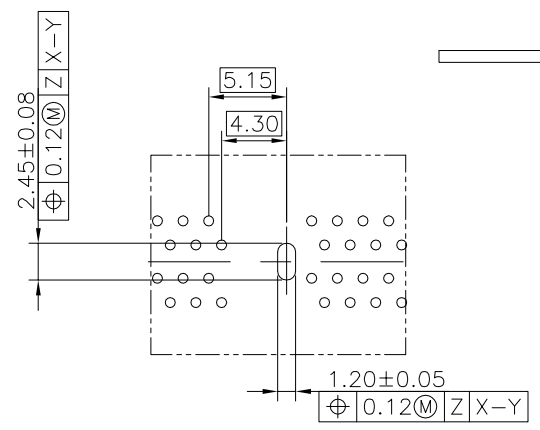
RoHS GP HF

REV.	ECR/N NO.	DESCRIPTION	DRAWN	DATE
A	—	NEW	LongQiang	20/07/07
B	—	—	LongQiang	21/06/01



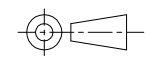
RECOMMENDED PCB LAYOUT  
 DEFAULT TOLERANCE  $\pm 0.05$

RECOMMENDED PCB THICKNESS  
 DEFAULT TOLERANCE  $\pm 0.05$



DETAIL B  
 SCALE: 2:1

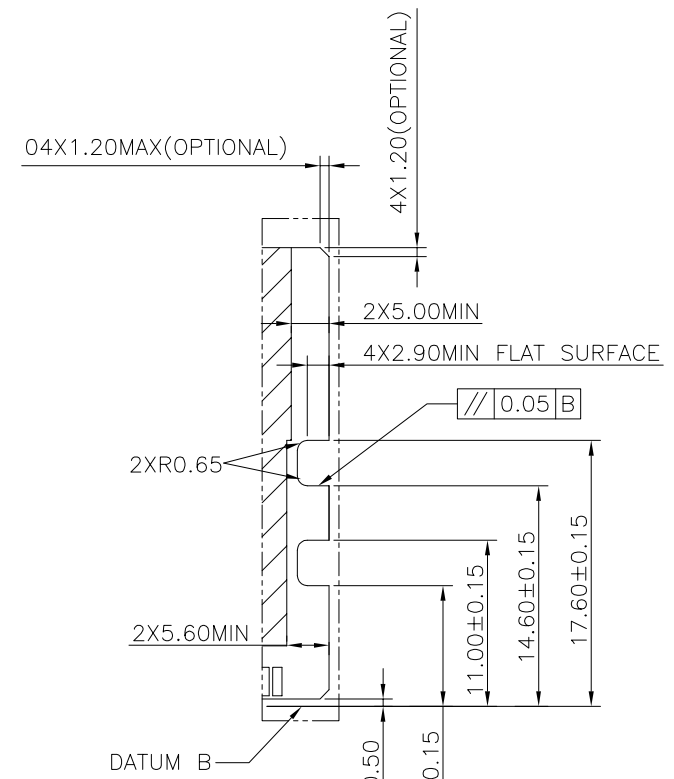
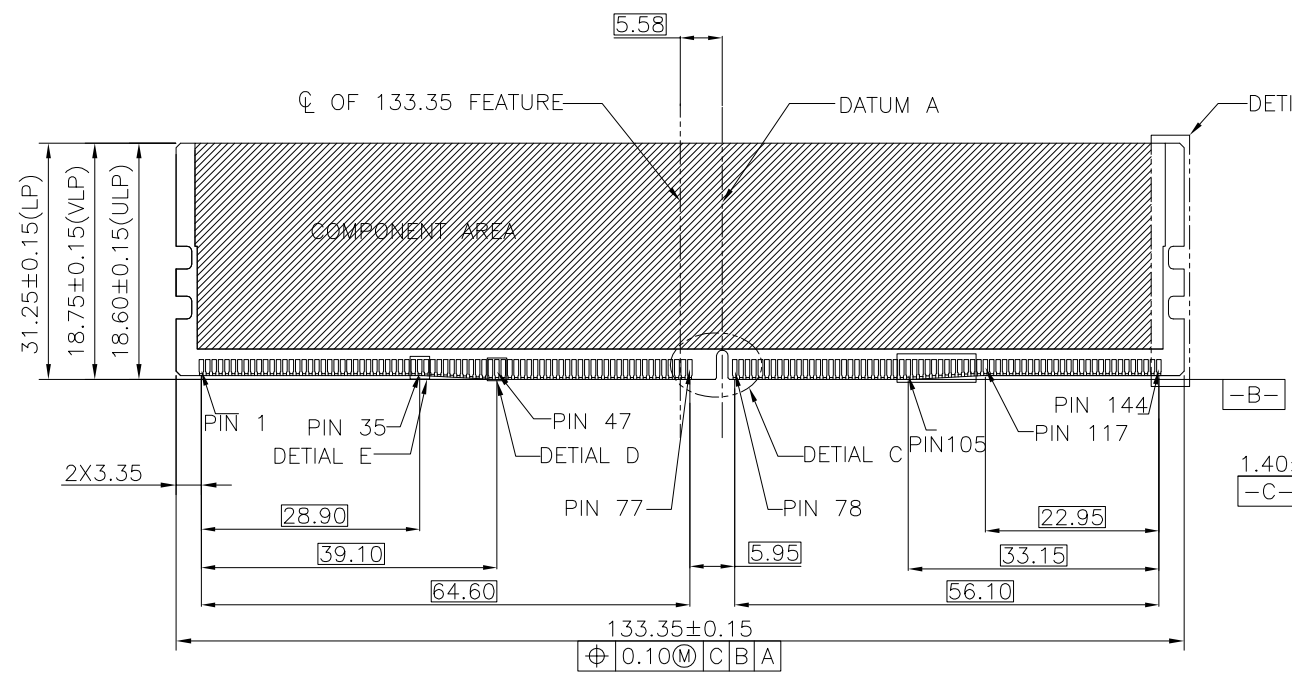
TOLERANCE	MODEL NAME: DDR4 288PIN SINGLE LATCH ON LONG SIDE TYPE	DRAWN: LongQiang.Peng
X.X $\pm 0.35$	MODEL NO: SEE TABLE	CHECKED: YouHua.Cai
X.XX $\pm 0.25$	UNIT: mm	APPROVED: YouHua.Cai
X.XXX $\pm 0.10$	SCALE: 1:1	DATE: 2021/06/01
ANGLE $\pm 1.0^\circ$	REVISION: B	DWG NO: C-WLDD-288P05
	SHEET: 2/5	FILE: C



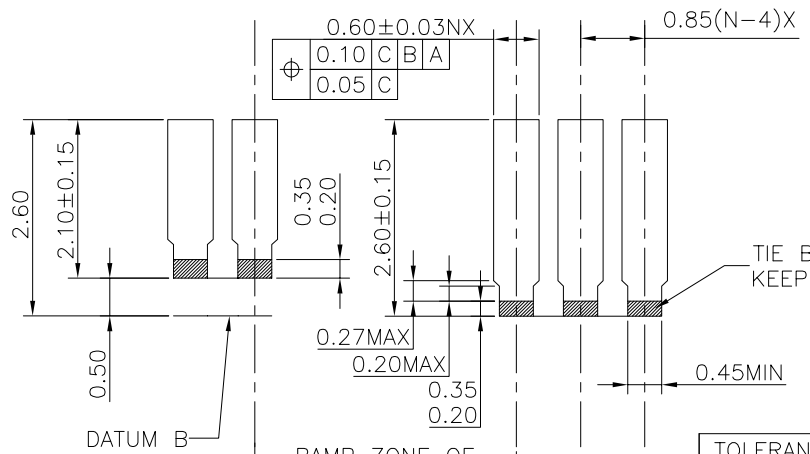
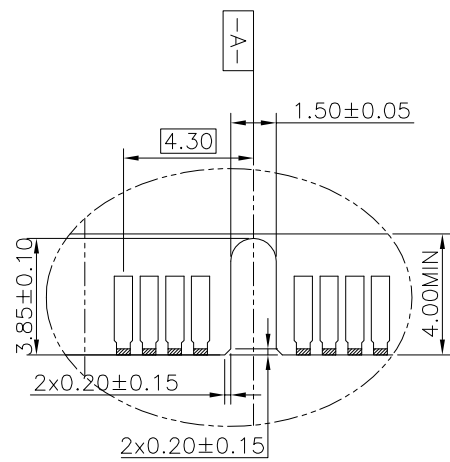
**WLCO** 深圳市兴万联电子有限公司  
 SHENZHEN XING WAN LIAN ELECTRONICS CO., LTD.

RoHS GP HF

REV.	ECR/N NO.	DESCRIPTION	DRAWN	DATE
A	—	NEW	LongQiang	20/07/07
B	—	—	LongQiang	21/06/01



RECOMMENDED CARD EDGE FINGER  
DEFAULT TOLERANCE ±0.05



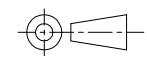
DETAIL F  
SCALE 2:1

DETAIL C  
SCALE 4:1

DETAIL E  
SCALE 10:1

DETAIL D  
SCALE 10:1

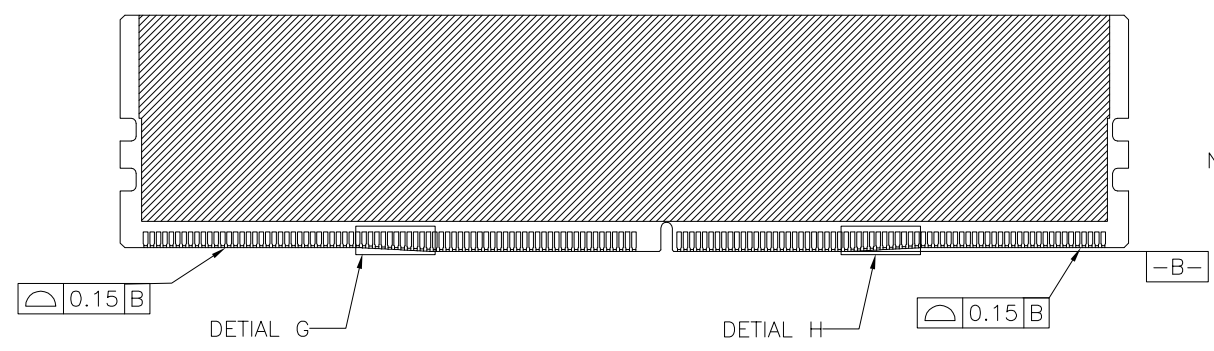
TOLERANCE	MODEL NAME:DDR4 288PIN SINGLE LATCH ON LONG SIDE TYPE	DRAWN: LongQiang.Peng
X.X ±0.35	MODEL NO: SEE TABLE	CHECKED: YouHua.Cai
X.XX ±0.25	UNIT: mm	APPROVED: YouHua.Cai
X.XXX ±0.10	SCALE: 1:1	DATE: 2021/06/01
ANGLE ±1.0°	REVISION: B	DWG NO:C-WLDD-288P05
	SHEET 3/5	FILE: C



**WILCO** 深圳市兴万联电子有限公司  
SHENZHEN XING WAN LIAN ELECTRONICS CO.,LTD.

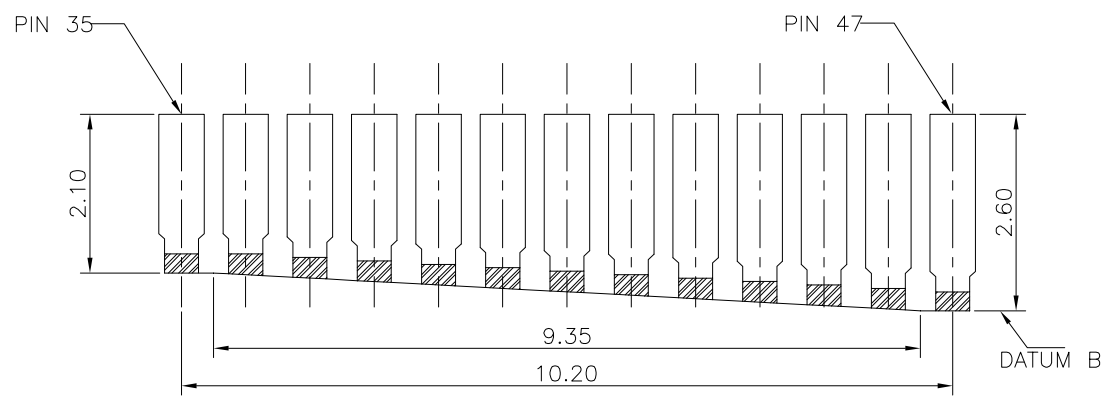
RoHS GP HF

REV.	ECR/N NO.	DESCRIPTION	DRAWN	DATE
A	—	NEW	LongQiang	20/07/07
B	—	—	LongQiang	21/06/01

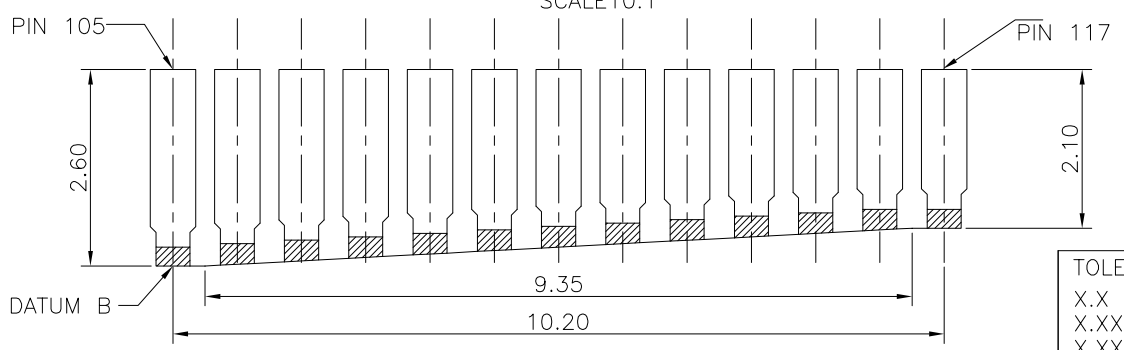


NOTES:

- 1.MATERIAL SPECIFICATION
  - 1-1.HOUSING:HIGH TEMPERATURE THERMOPLASTIC,UL94-V0 V2 OR HB;
  - 1-2.LATCH:HIGH TEMPERATURE THERMOPLASTIC,UL94-V0 V2 OR HB;
  - 1-3.CAP:HIGH TEMPERATURE THERMOPLASTIC,UL94-V0 V2 OR HB;
  - 1-4.CONTACT:COPPER ALLOY;
  - 1-5.HOOK:STEEL ALLOY OR STIANLESS STEEL OR COPPER ALLOY;
- 2.PLATING SPECIFICATION
  - 2-1.CONTACT:
    - 50U" MIN NICKEL UNDERPLATED;
    - GOLD/NICKEL PLATING ON THE CONTACT AREA;
    - 100U" MIN MATTE TIN PLATING ON THE SOLDER AREA;
  - 2-2.HOOK:
    - ONLY NICKEL PLATING;
    - OR NO PLATING;
    - OR 50U" MIN NICKEL UNDERPLATED,100U" MIN MATTE TIN ;
- 3.MECHANICAL PERFORMANCE
  - 3-1.INSERTION FORCE-MODULE TO CONNECTOR:106.8N MAX;
  - 3-2.INSERTION FORCE-CONNECTOR TO BOARD:75N MAX;
  - 3-3.RETENTION FORCE:300gf/PIN MIN;
  - 3-4.DURABILITY:25 CYCLES;
  - 3-5.UNMATING FORCE(PER PIN PAIR):14gf MIN;
- 4.ELECTRICAL PERFORMANCE
  - 4-1.CURRENT RATING:0.75A PER PIN MAX;
  - 4-2.VOLTAGE RATING:1.2V±0.1V;
  - 4-3.LLCR:10mΩ MAX (INITIAL);
  - 4-4.INSULATION RESISTANCE:500V DC,1MΩ MIN;
  - 4-5.DIELECTRIC WITHSTAND VOLTAGE:500V AC,NO BREAK DOWN;
- 5.HSF COMPLIANT;
- 6.WAVE SOLDERING PROCESS
  - 6-1.WAVE SOLDERING TEMPERATURE SHALL BE:260°C IMMERSION DURATION 5SECONDS.
  - 6-2.THE LATCH SHALL BE CLOSED WHEN USED TO SOLDER;

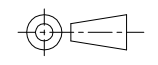


DETAIL G  
SCALE 10:1



DETAIL H  
SCALE 10:1

TOLERANCE	MODEL NAME:DDR4 288PIN SINGLE LATCH ON LONG SIDE TYPE	DRAWN: LongQiang.Peng
X.X ±0.35	MODEL NO: SEE TABLE	CHECKED: YouHua.Cai
X.XX ±0.25	UNIT: mm	APPROVED: YouHua.Cai
X.XXX ±0.10	SCALE: 1:1	DATE: 2021/06/01
ANGLE ±1.0°	REVISION: B	DWG NO:C-WLDD-288P05
	SHEET: 4/5	FILE: C



**WLCO** 深圳市兴万联电子有限公司  
SHENZHEN XING WAN LIAN ELECTRONICS CO.,LTD.

1 2 3 4 5 6 7 8

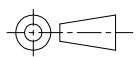
**RoHS** **GP** **HF**

REV.	ECR/N NO.	DESCRIPTION	DRAWN	DATE
A	—	NEW	LongQiang	20/07/07
B	—	—	LongQiang	21/06/01

A

**TABLE**

NO.	PART NO.	SPECIFICATION	HSF COMPLIANT	DIM"A"	DIM"B"
1	WLDD-107A	HOUSING_PA66 BLACK UL94-HB,LATCH_PA66 BLACK,CAP_PA66 BLACK,CONTACT_C2680 G/F Ni50u, HOOK_STEEL ALLOY NICKEL PLATING.	RoHS COMPLIANT	2.70mm	1.8-2.2mm

<b>TOLERANCE</b> X.X ±0.35 X.XX ±0.25 X.XXX ±0.10 ANGLE ±1.0°	MODEL NAME:DDR4 288PIN SINGLE LATCH ON LONG SIDE TYPE				DRAWN: LongQiang.Peng	
	MODEL NO: SEE TABLE				CHECKED: YouHua.Cai	
	UNIT:	SCALE:	REVISION:	SHEET	APPROVED: YouHua.Cai	
	mm	1:1	B	5/5	DATE: 2021/06/01	
		<b>WLCO</b> 深圳市兴万联电子有限公司 SHENZHEN XING WAN LIAN ELECTRONICS CO.,LTD.			DWG NO:C-WLDD-288P05 FILE: C	