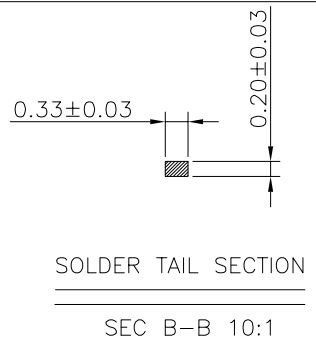
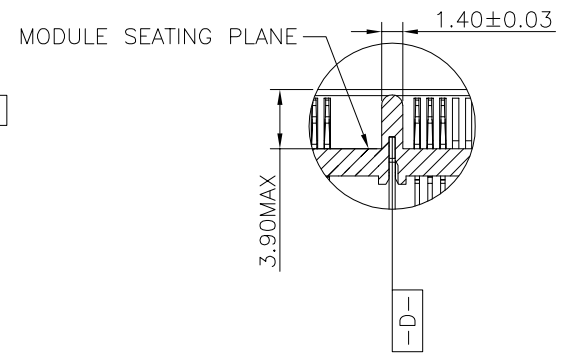
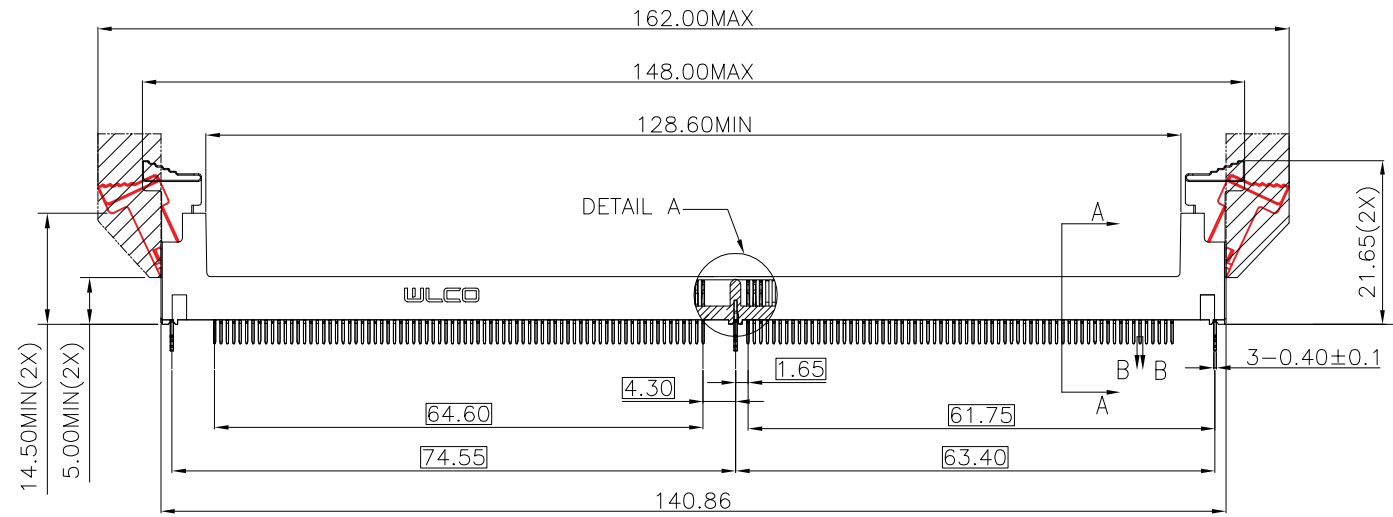
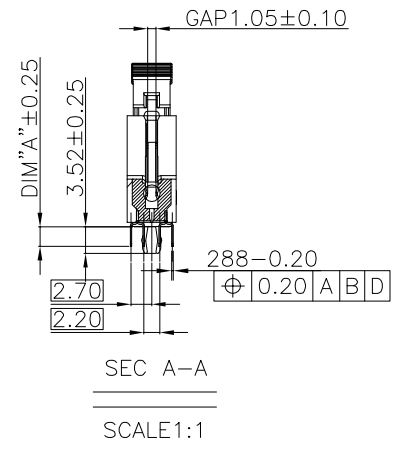
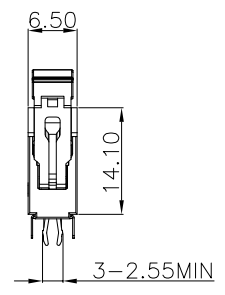
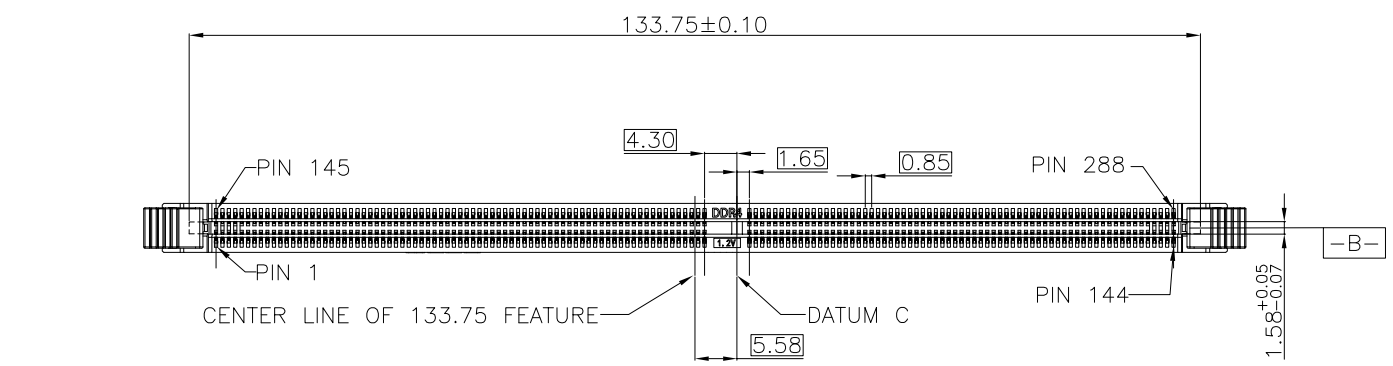
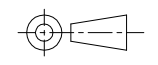


RoHS GP HF

REV.	ECR/N NO.	DESCRIPTION	DRAWN	DATE
F	_____	_____	LongQiang	20/04/18
G	_____	_____	LongQiang	20/05/08
H	_____	_____	LongQiang	21/04/28



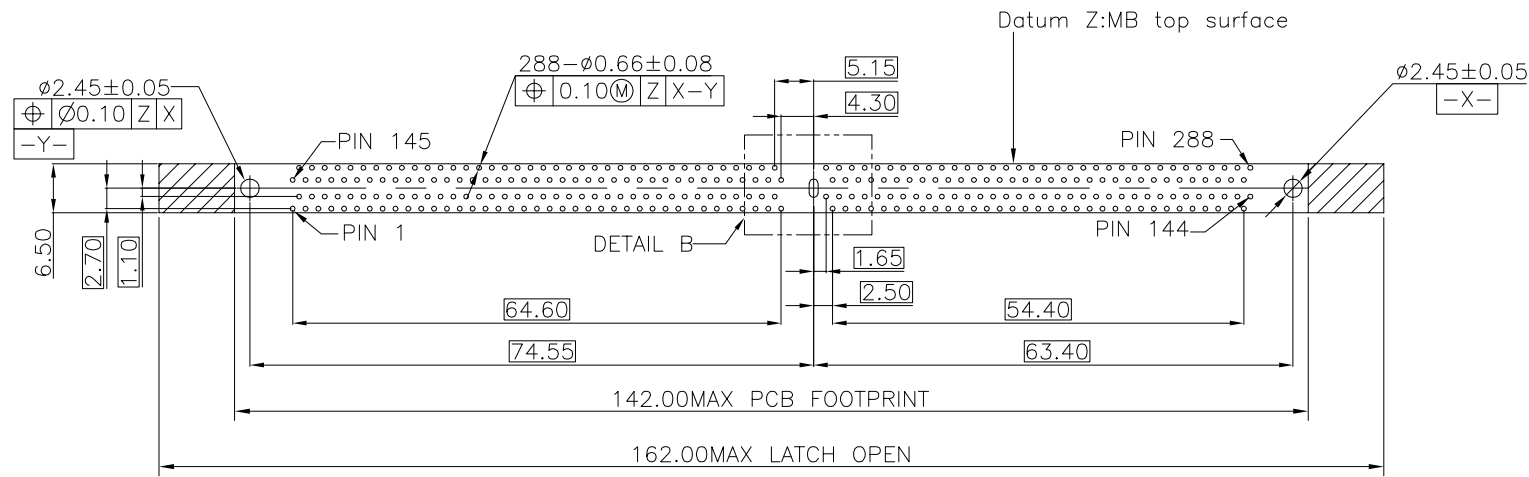
TOLERANCE	MODEL NAME: DDR4 288PIN DOUBLE LATCH TYPE	DRAWN: LongQiang.Peng
X.X ± 0.35	MODEL NO: SEE TABLE	CHECKED: YouHua.Cai
X.XX ± 0.25	UNIT: mm	APPROVED: YouHua.Cai
X.XXX ± 0.10	SCALE: 1:1	DATE: 2021/04/28
ANGLE $\pm 1.0^\circ$	REVISION: H	DWG NO: CUS-WLDD-288P01
	SHEET: 1/5	FILE: C



WLCOP 深圳市兴万联电子有限公司
SHENZHEN XING WAN LIAN ELECTRONICS CO., LTD.

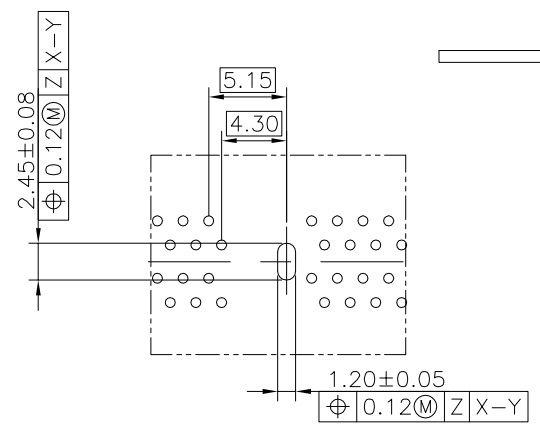
RoHS GP HF

REV.	ECR/N NO.	DESCRIPTION	DRAWN	DATE
F	_____	_____	LongQiang	20/04/18
G	_____	_____	LongQiang	20/05/08
H	_____	_____	LongQiang	21/04/28



RECOMMENDED PCB LAYOUT
 DEFAULT TOLERANCE ± 0.05

RECOMMENDED PCB THICKNESS
 DEFAULT TOLERANCE ± 0.05

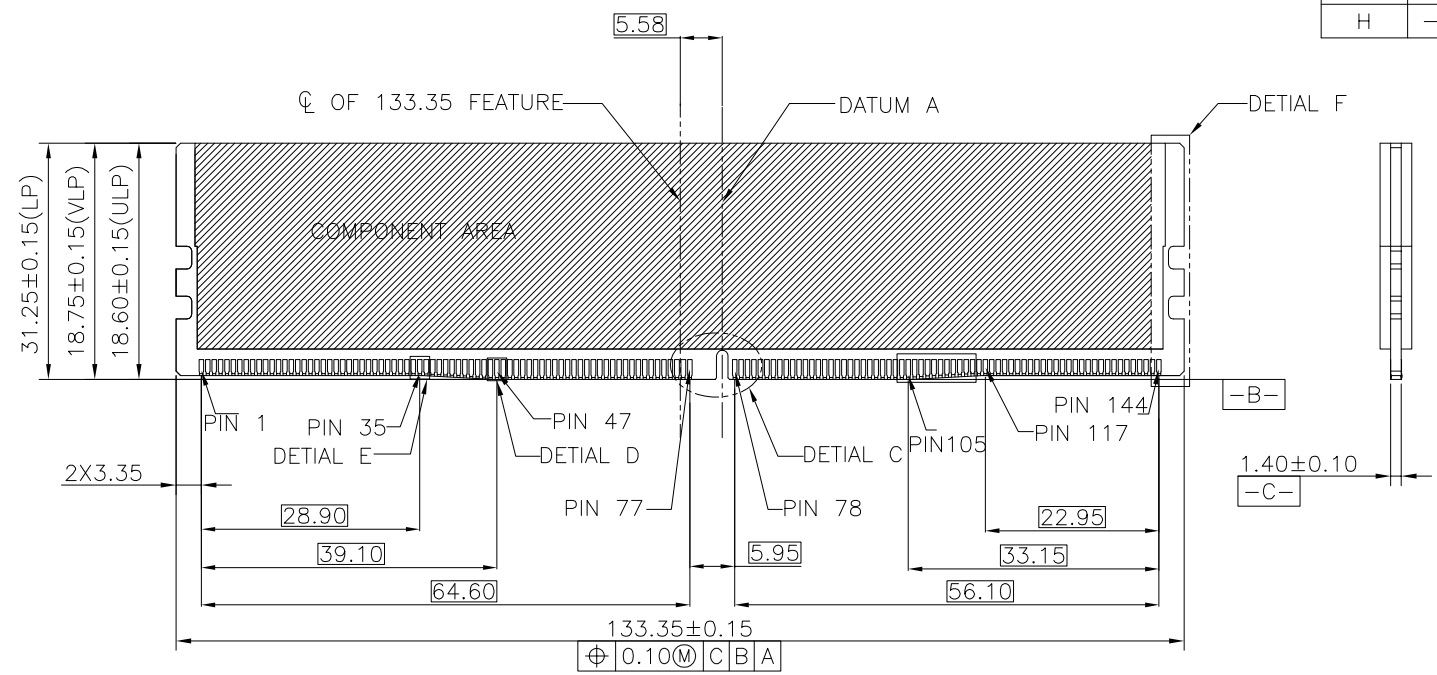


DETAIL B
 SCALE: 2:1

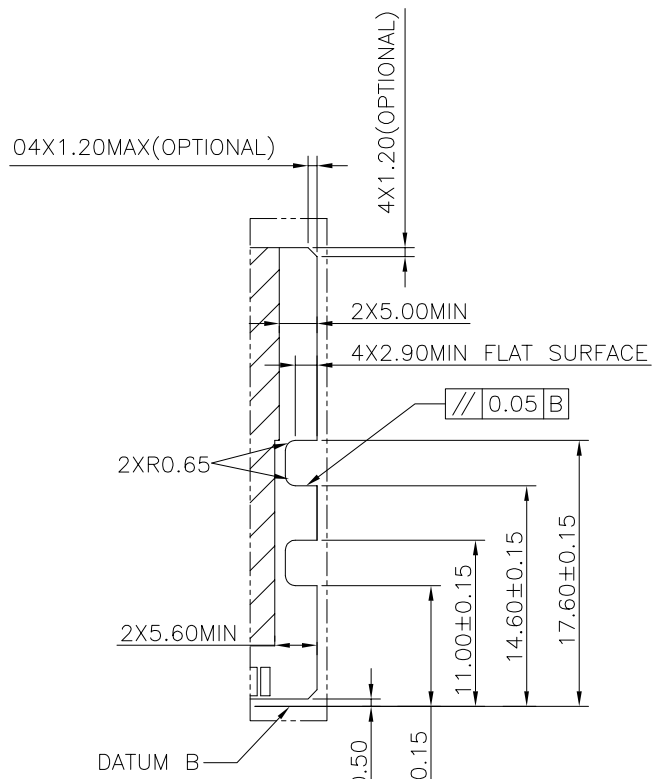
TOLERANCE	MODEL NAME: DDR4 288PIN DOUBLE LATCH TYPE				DRAWN: LongQiang.Peng
X.X ± 0.35	MODEL NO: SEE TABLE				CHECKED: YouHua.Cai
X.XX ± 0.25	UNIT:	SCALE:	REVISION:	SHEET	APPROVED: YouHua.Cai
X.XXX ± 0.10	mm	1:1	H	2/5	DATE: 2021/04/28
ANGLE $\pm 1.0^\circ$	 WLCO 深圳市兴万联电子有限公司 SHENZHEN XING WAN LIAN ELECTRONICS CO.,LTD.				DWG NO: CUS-WLDD-288P01
	FILE: C				

RoHS GP HF

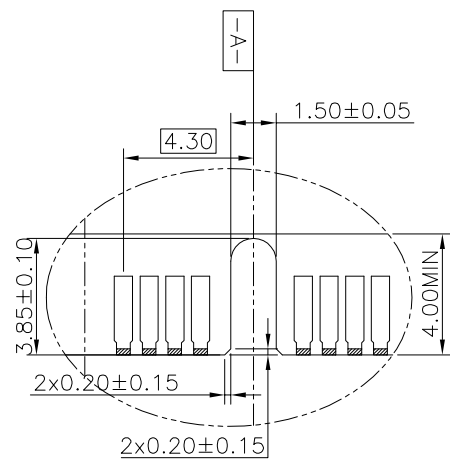
REV.	ECR/N NO.	DESCRIPTION	DRAWN	DATE
F			LongQiang	20/04/18
G			LongQiang	20/05/08
H			LongQiang	21/04/28



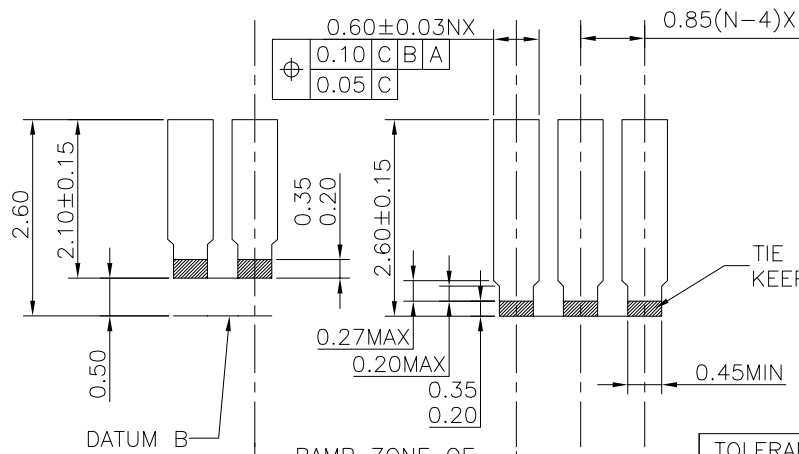
RECOMMENDED CARD EDGE FINGER
 DEFAULT TOLERANCE ±0.05



DETAIL F
 SCALE 2:1



DETAIL C
 SCALE 4:1



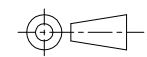
STEP ZONE OF PCB BOTTOM EDGE

RAMP ZONE OF PCB BOTTOM EDGE

TIE BAR
 KEEP OUT ZONE

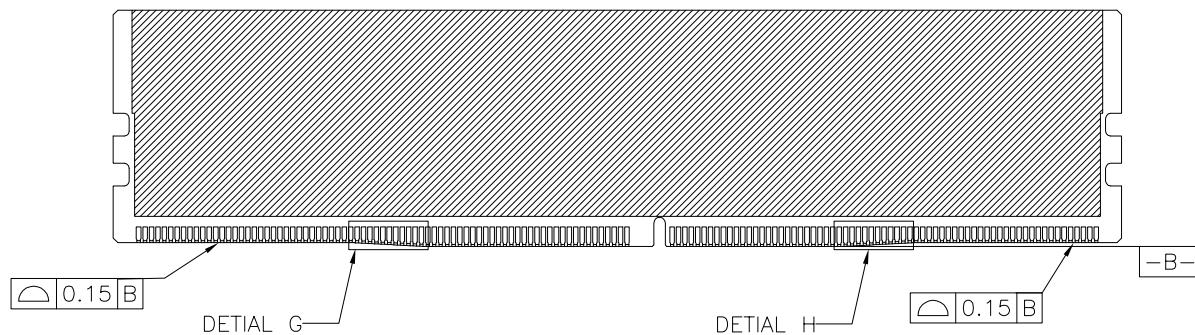
DETAIL E
 SCALE 10:1

DETAIL D
 SCALE 10:1

TOLERANCE	MODEL NAME: DDR4 288PIN DOUBLE LATCH TYPE				DRAWN:	LongQiang.Peng
X.X ±0.35	MODEL NO: SEE TABLE				CHECKED:	YouHua.Cai
X.XX ±0.25	UNIT:	SCALE:	REVISION:	SHEET	APPROVED:	YouHua.Cai
X.XXX ±0.10	mm	1:1	H	3/5	DATE:	2021/04/28
ANGLE ±1.0°	DWG NO: CUS-WLDD-288P01				FILE:	C
 WLCO 深圳市兴万联电子有限公司 SHENZHEN XING WAN LIAN ELECTRONICS CO., LTD.						

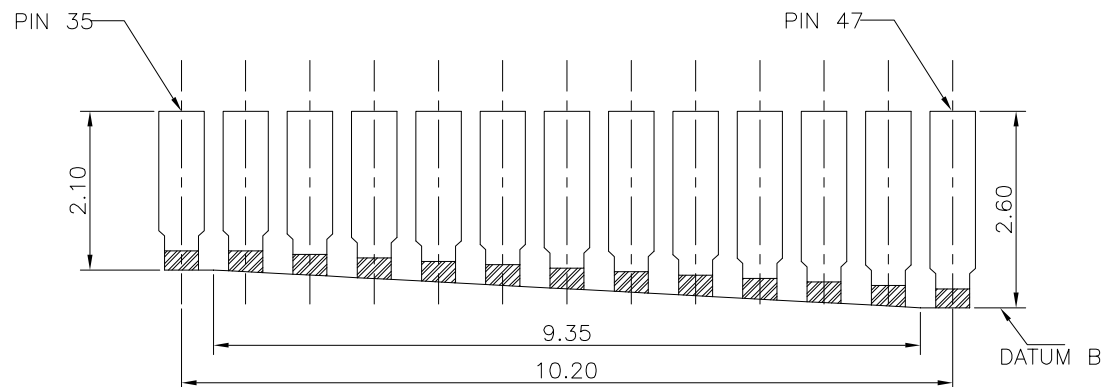
RoHS GP HF

REV.	ECR/N NO.	DESCRIPTION	DRAWN	DATE
F	_____	_____	LongQiang	20/04/18
G	_____	_____	LongQiang	20/05/08
H	_____	_____	LongQiang	21/04/28



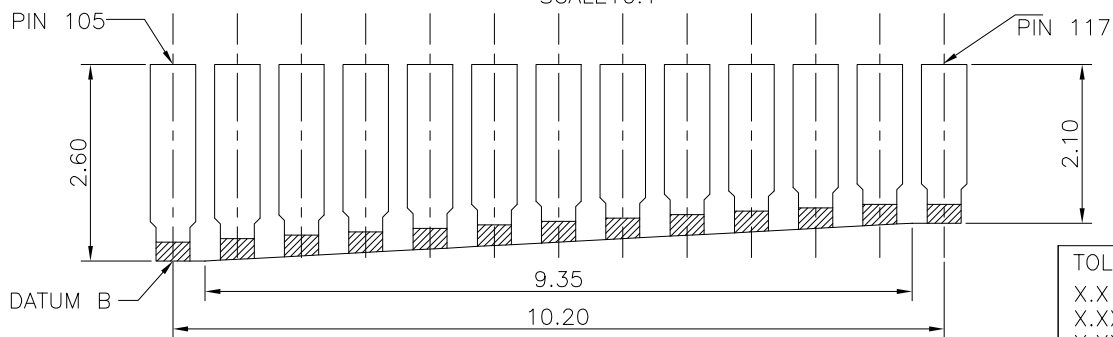
NOTES:

- 1.MATERIAL SPECIFICATION
 - 1-1.HOUSING:HIGH TEMPERATURE THERMOPLASTIC,UL94-V0 V2 OR HB;
 - 1-2.LATCH:HIGH TEMPERATURE THERMOPLASTIC,UL94-V0 V2 OR HB;
 - 1-3.CONTACT:COPPER ALLOY;
 - 1-4.HOOK:STEEL ALLOY OR STIANLESS STEEL OR COPPER ALLOY;
- 2.PLATING SPECIFICATION
 - 2-1.CONTACT:
 - 50U" MIN NICKEL UNDERPLATED;
 - GOLD/NICKEL PLATING ON THE CONTACT AREA;
 - 100U" MIN MATTE TIN PLATING ON THE SOLDER AREA;
 - 2-2.HOOK:
 - ONLY NICKEL PLATING;
 - OR NO PLATING;
 - OR 50U" MIN NICKEL UNDERPLATED,100U" MIN MATTE TIN ;
- 3.MECHANICAL PERFORMANCE
 - 3-1.INSERTION FORCE-MODULE TO CONNECTOR:106.8N MAX;
 - 3-2.INSERTION FORCE-CONNECTOR TO BOARD:75N MAX;
 - 3-3.RETENTION FORCE:300gf/PIN MIN;
 - 3-4.DURABILITY:25 CYCLES;
 - 3-5.UNMATING FORCE(PER PIN PAIR):14gf MIN;
- 4.ELECTRICAL PERFORMANCE
 - 4-1.CURRENT RATING:0.75A PER PIN MAX;
 - 4-2.VOLTAGE RATING:1.2V±0.1V;
 - 4-3.LLCR:10mΩ MAX (INITIAL);
 - 4-4.INSULATION RESISTANCE:500V DC,1MΩ MIN;
 - 4-5.DIELECTRIC WITHSTAND VOLTAGE:500V AC,NO BREAK DOWN;
- 5.HSF COMPLIANT;
- 6.WAVE SOLDERING PROCESS
 - 6-1.WAVE SOLDERING TEMPERATURE SHALL BE:260°C IMMERSION DURATION 5SECONDS.
 - 6-2.THE LATCH SHALL BE CLOSED WHEN USED TO SOLDER;



DETAIL G

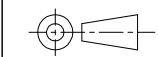
SCALE 10:1



DETAIL H

SCALE 10:1

TOLERANCE	MODEL NAME: DDR4 288PIN DOUBLE LATCH TYPE	DRAWN: LongQiang.Peng
X.X ±0.35	MODEL NO: SEE TABLE	CHECKED: YouHua.Cai
X.XX ±0.25	UNIT: mm	APPROVED: YouHua.Cai
X.XXX ±0.10	SCALE: 1:1	DATE: 2021/04/28
ANGLE ±1.0°	REVISION: H	DWG NO: CUS-WLDD-288P01
	SHEET: 4/5	FILE: C



WLCO 深圳市兴万联电子有限公司
SHENZHEN XING WAN LIAN ELECTRONICS CO.,LTD.

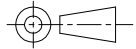
1 2 3 4 5 6 7 8

RoHS **GP** **HF**

REV.	ECR/N NO.	DESCRIPTION	DRAWN	DATE
F	_____	_____	LongQiang	20/04/18
G	_____	_____	LongQiang	20/05/08
H	_____	_____	LongQiang	21/04/28

TABLE

NO.	PART NO.	SPECIFICATION	HSF COMPLIANT	DIM"A"	DIM"B"
1	WLDD-013A	HOUSING_PA66 BLACK UL94-HB,LATCH_PA66 WHITE,CONTACT_C2680 G/F Ni50u, HOOK_STEEL ALLOY NICKEL PLATING.	RoHS COMPLIANT	2.70mm	1.8-2.2mm

TOLERANCE X.X ±0.35 X.XX ±0.25 X.XXX ±0.10 ANGLE ±1.0°	MODEL NAME: DDR4 288PIN DOUBLE LATCH TYPE				DRAWN: LongQiang.Peng	
	MODEL NO: SEE TABLE				CHECKED: YouHua.Cai	
	UNIT:	SCALE:	REVISION:	SHEET	APPROVED: YouHua.Cai	
	mm	1:1	H	5/5	DATE: 2021/04/28	
		WLCO 深圳市兴万联电子有限公司 SHENZHEN XING WAN LIAN ELECTRONICS CO.,LTD.			DWG NO:CUS-WLDD-288P01 FILE: C	