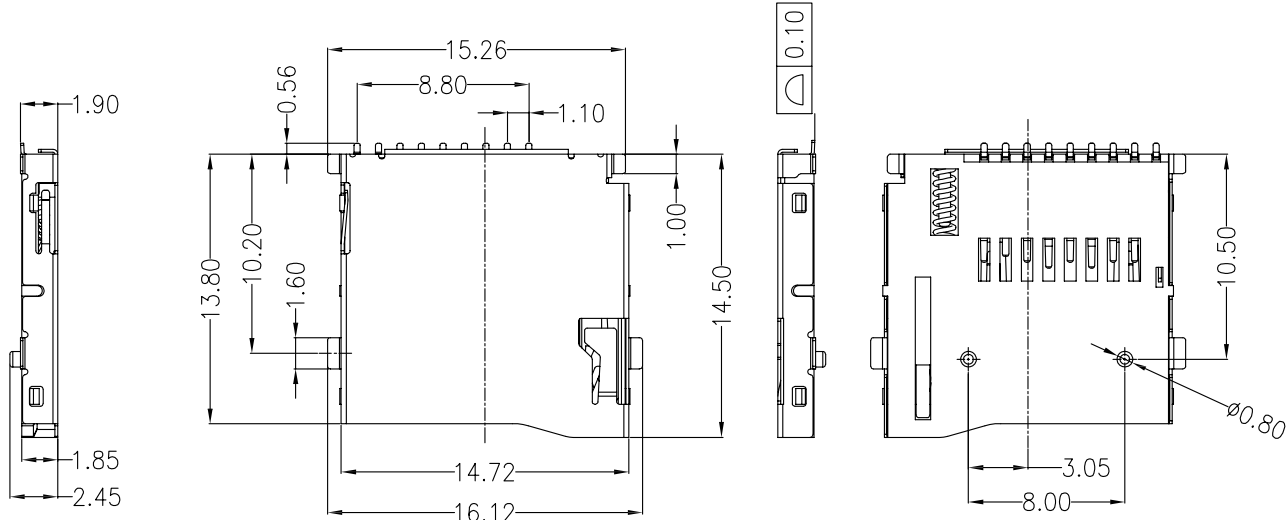


RoHS

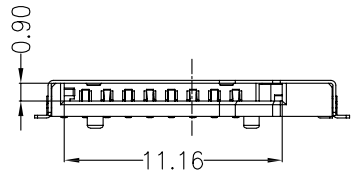
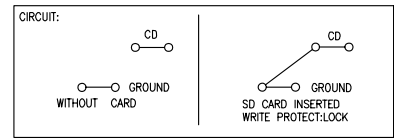
Mark	ECN NO.	DESCRIPTION	DESIGN	Date:
A	—	NEW	—	—



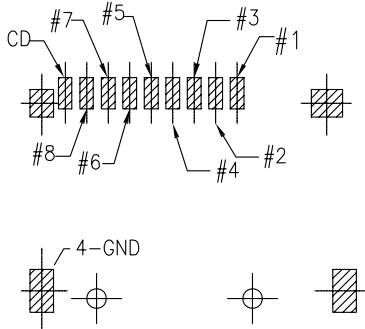
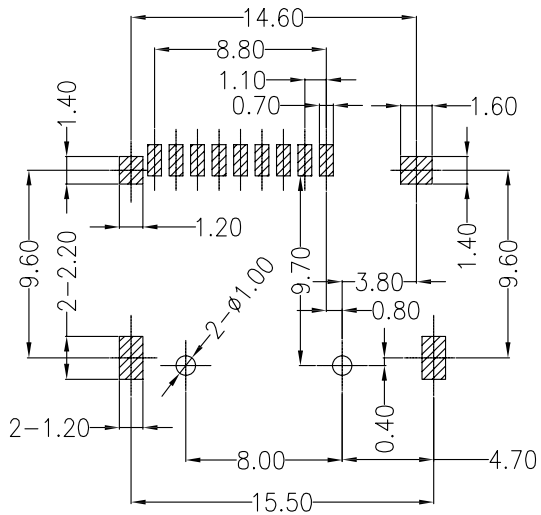
SPECIFICATION

1.MATERIAL:
 HOUSING:HIGH TEMPERATURE THERMOPLASTIC
 UL 94V-0 , COLOR:BLACK
 CONTACT: COPPER ALLOY
 COVER: COPPER ALLOY
 SHELL: SUS

2.PLATING:
 UNDERPLATE: NICKEL
 CONTACT AREA: GOLD OVER NICKEL
 SHELL SOLDER AREA: Ni PLATING OVER NICKEL(LEAD FREE).



PIN NO.	PIN ASSIGNMENT
1#	DAT2
2#	CD/DAT3 ²
3#	CMD
4#	VDD
5#	CLK
6#	VSS
7#	DAT0
8#	DAT1



P.C.B LAYOUT
(TOLERANCE±0.05)

Tolerance X.X ±0.30 X.XX ±0.25 X.XXX ±0.15 Angle ±2.0°	Model Name: Micro SD卡座 (T-F 卡座)			Drawing: QIN
	Model No: WLSO-004A			Checked: Lijian
UNIT: mm SCALE: FULL REVISION: A SHEET: 1/1	Approved: WEI JI YANG			Date: 2014.09.11
	DWG NO. FILE: C			

WLCO® 深圳市兴万联电子有限公司
 SHENZHEN XINGWANLIAN TECHNOLOGY CO.,LTD