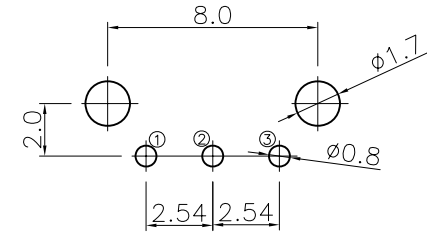
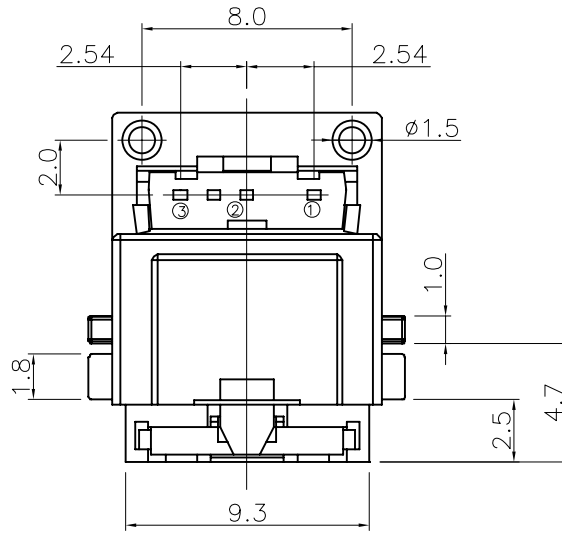


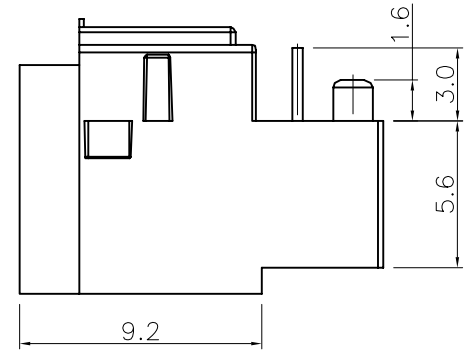
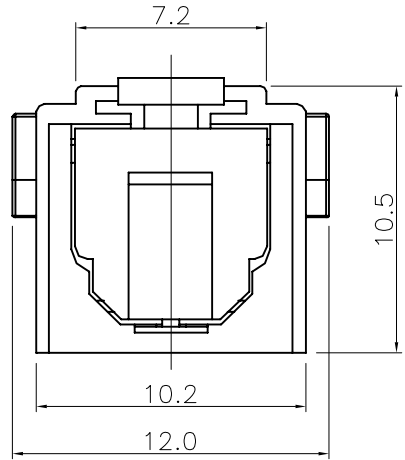
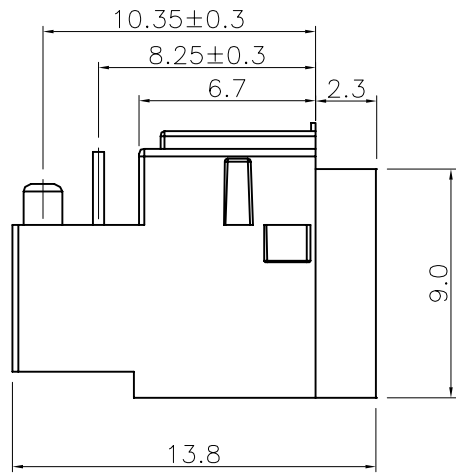
RoHS

Mark	ECN NO.	DESCRIPTION	DESIGN	Date:
A	—	NEW	—	—

PIN 脚说明
 ① VIN
 ② VCC
 ③ GND



PCB LAYOUT



Tolerance X.X ±0.30 X.XX ±0.25 X.XXX ±0.15 Angle ±2.0°	Model Name: 光纤发射接口 (DQT-030)				Drawing: PYP
	Model No: WLAD-038A				Checked: YSX
	UNIT:	SCALE:	REVISION:	SHEET	Approved: Lijian
	mm	FULL	A	1/1	Date: 2015.06.20
	WLCO® 深圳市兴万联电子有限公司 SHENZHEN XINGWANLIAN TECHNOLOGY CO.,LTD				DWG NO.
					FILE: C