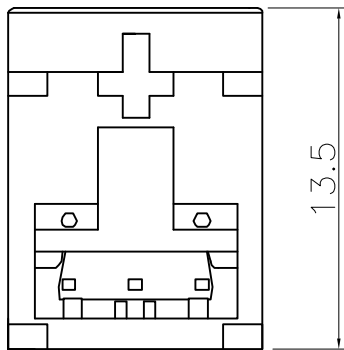
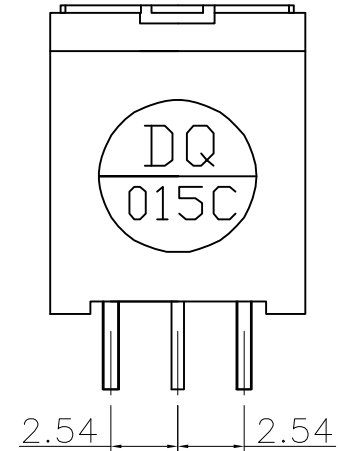
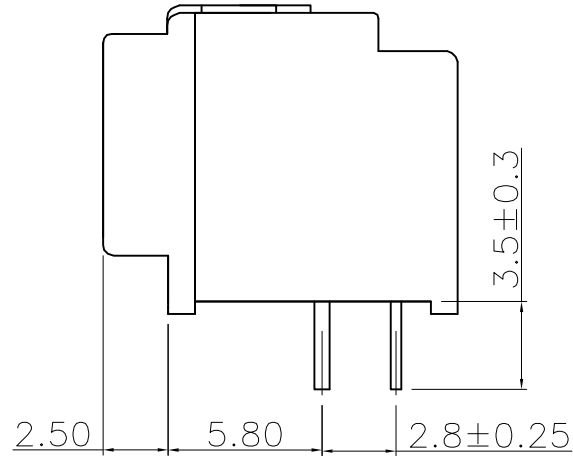
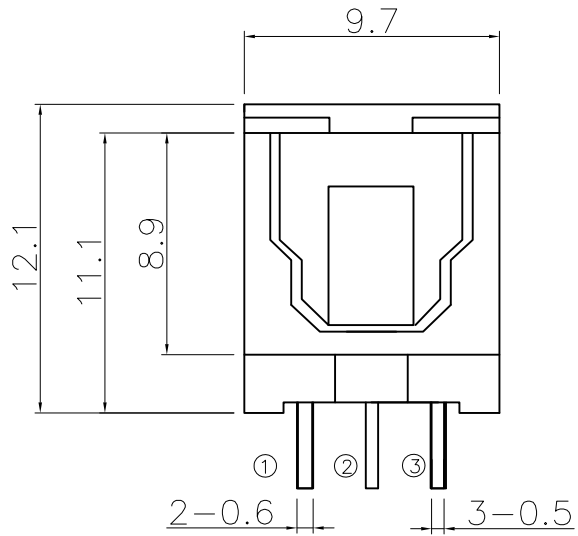
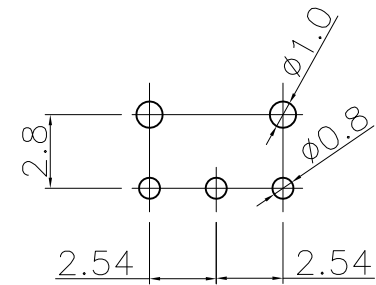


RoHS

| | | | | |
|------|---------|-------------|--------|-------|
| Mark | ECN NO. | DESCRIPTION | DESIGN | Date: |
| A | | NEW | | |



- ① VIN
- ② VCC
- ③ GND



PCB LAYOUT

| | | | | |
|--|-------------------------------|-------------|-----------|------------------|
| Tolerance X.X ±0.30 X.XX ±0.25 X.XXX ±0.15 Angle ±2.0° | Model Name: 光纤发射接口 (DQT-015C) | | | Drawing: PYP |
| | Model No: WLAD-037A | | | Checked: YSX |
| UNIT: mm | SCALE: FULL | REVISION: A | SHEET 1/1 | Approved: Lijian |
| | | | | Date: 2015.06.20 |
| WLCO [®] 深圳市兴万联电子有限公司 SHENZHEN XINGWANLIAN TECHNOLOGY CO.,LTD | | | | DWG NO. |
| | | | | FILE: C |