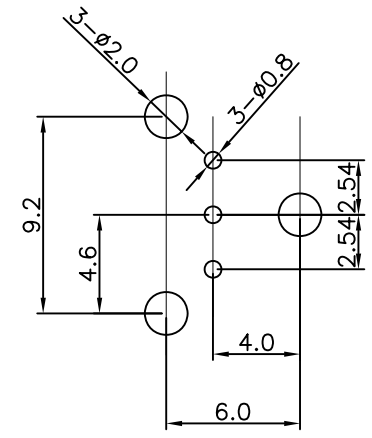
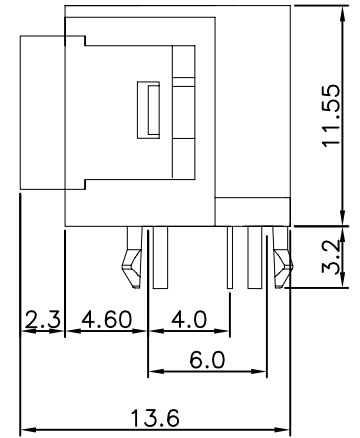
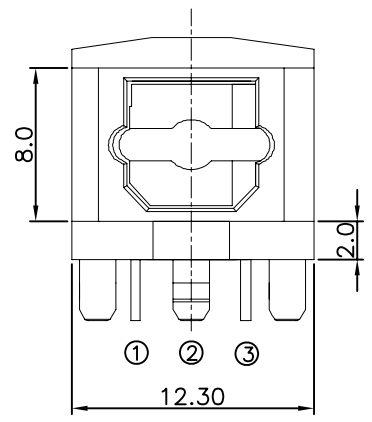
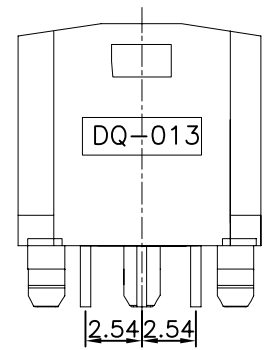
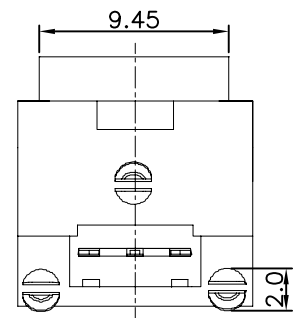


RoHS

Mark	ECN NO.	DESCRIPTION	DESIGN	Date:
A		New		



PCB LAYOUT(TOP VIEW)



- ① Vin
- ② Vcc
- ③ GND

备注：
以上尺寸单位均为mm

Tolerance X.X ±0.30 X.XX ±0.25 X.XXX ±0.15 Angle ±2.0°	Model Name: 单孔光纤 黑胶 (DQT-013)				Drawing: Lijian	
	Model No: WLAD-001A				Checked: Lijian	
	UNIT:	SCALE:	REVISION:	SHEET	Approved: WEI JI YANG	
	mm	FULL	A	1/1	Date: 2013.04.19	
	WLCO ® 深圳市兴万联电子有限公司 SHENZHEN XINGWANLIAN TECHNOLOGY CO.,LTD				DWG NO.	
					FILE: C	